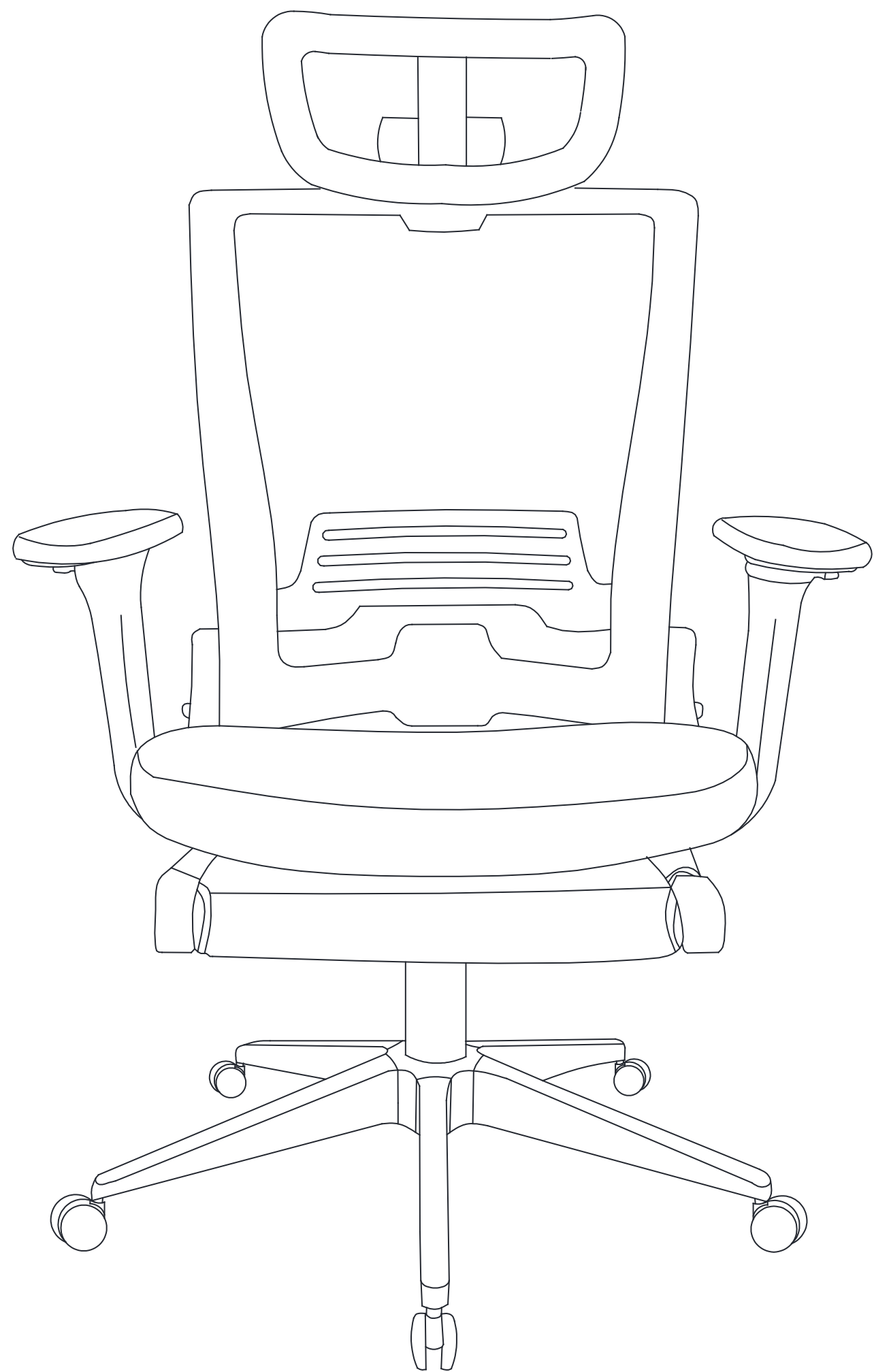
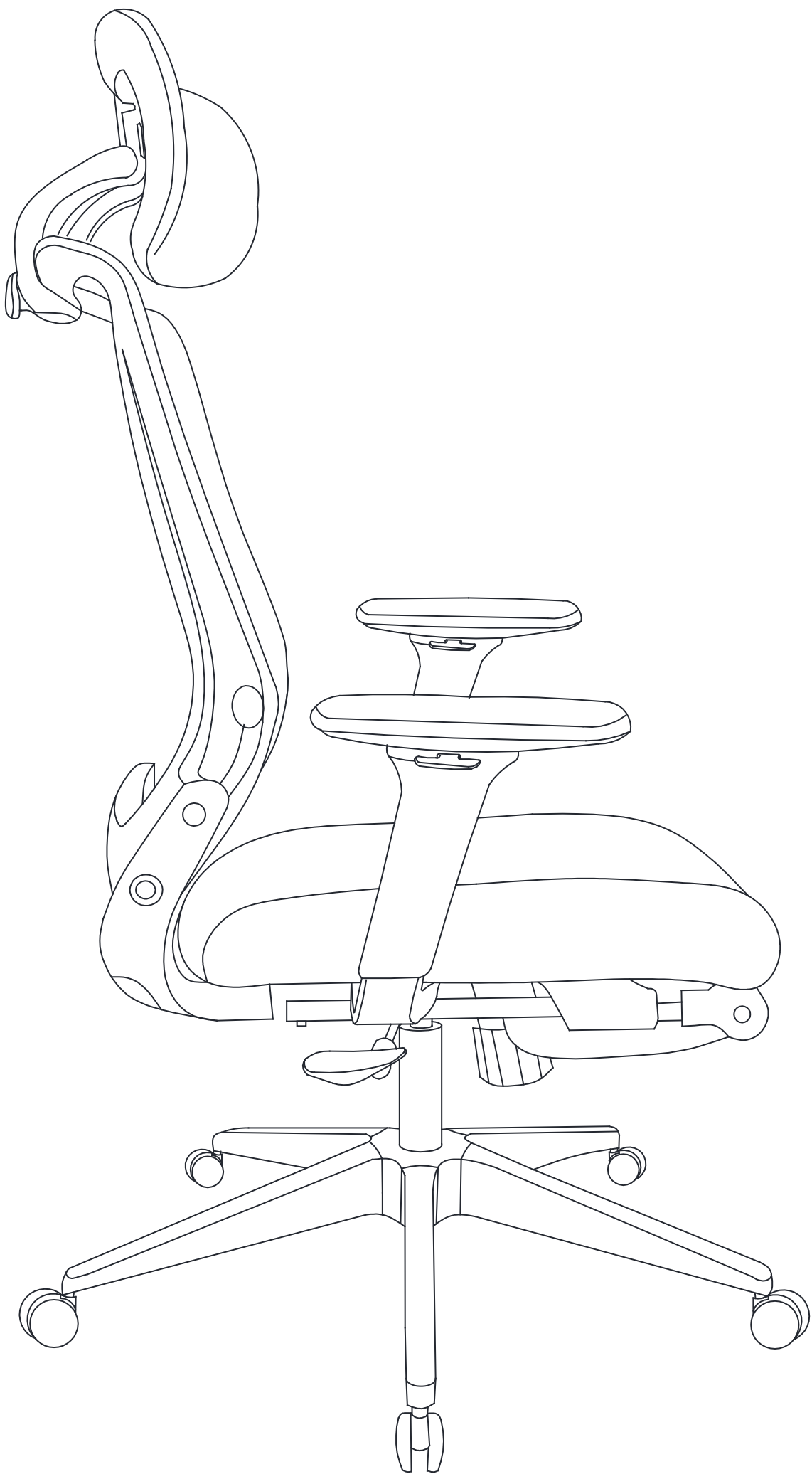


# ASSEMBLY INSTRUCTIONS

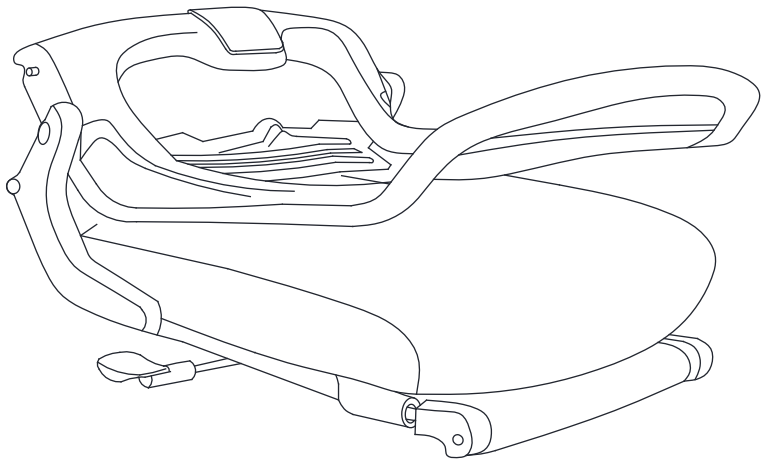
Our packing box doubles as an assembly workbench



**WARM TIPS: ASSEMBLY IS RECOMMENDED TO BE CARRIED OUT BY TWO PEOPLE.**

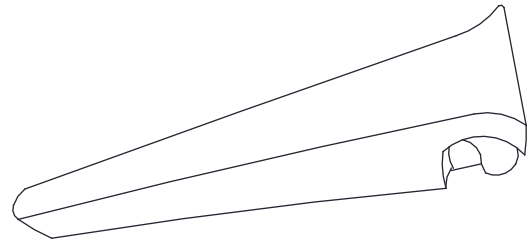
# PARTS LIST

**A**



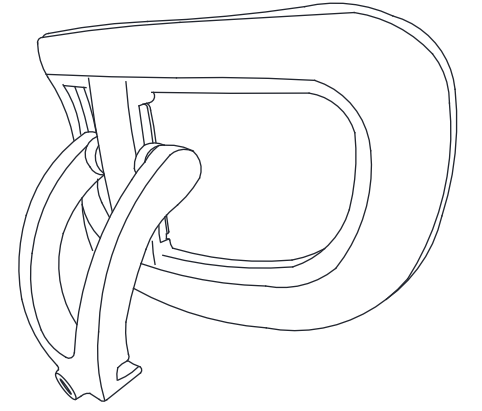
**Semi-finished \*1pc**

**B**



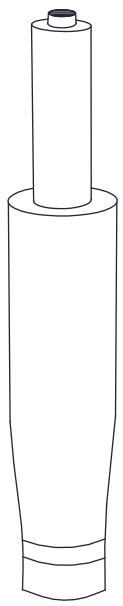
**Base leg\*5pcs**

**C**



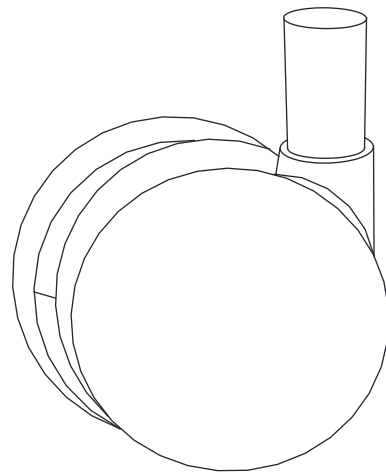
**Headrest\*1pc**

**D**



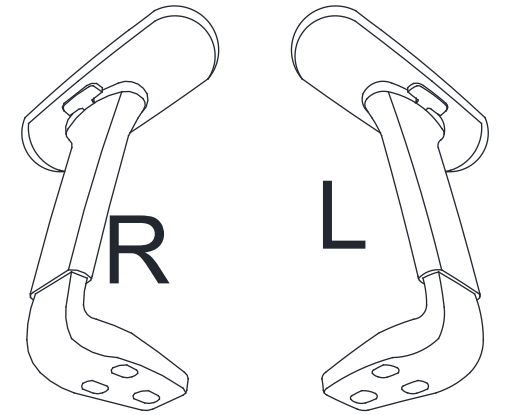
**Gas lift \*1pc**

**F**



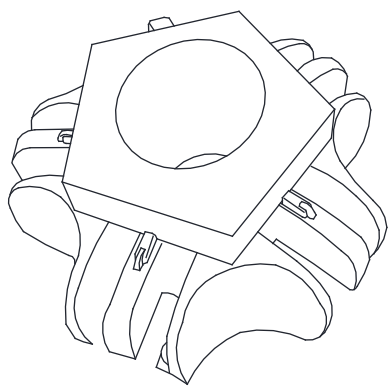
**Wheel\*5pcs**

**M**



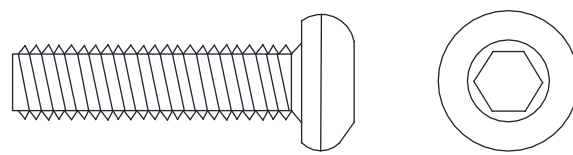
**Armrest \*2pcs**

**I**



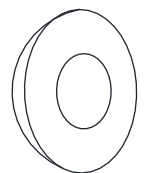
**Chair Base \*1pc**

**E**



**Screw\*6pcs  
M6X35MM**

**L**



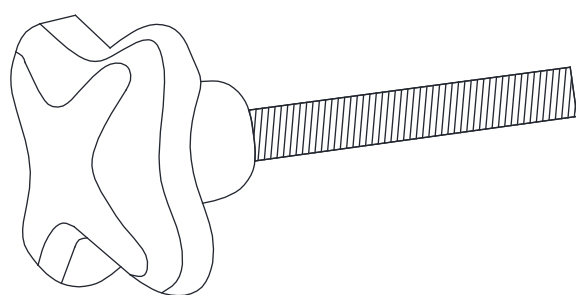
**Gasket\*6pcs  
M6X14X1.2MM**

**H**



**Wrench \*1pc**

**G**

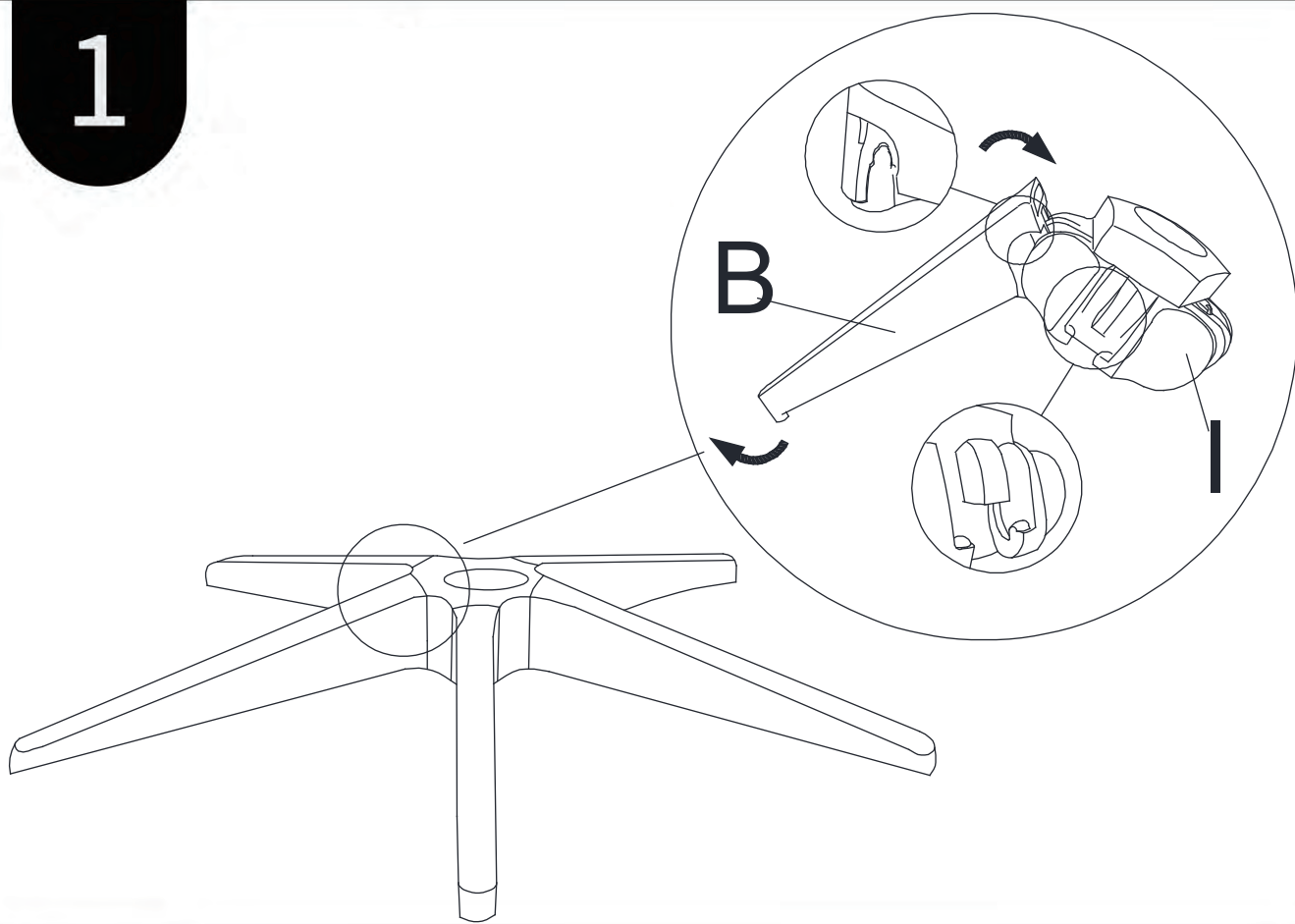


**Headrest knob\*1pc**

**Tips: other screws  
are spare screws**

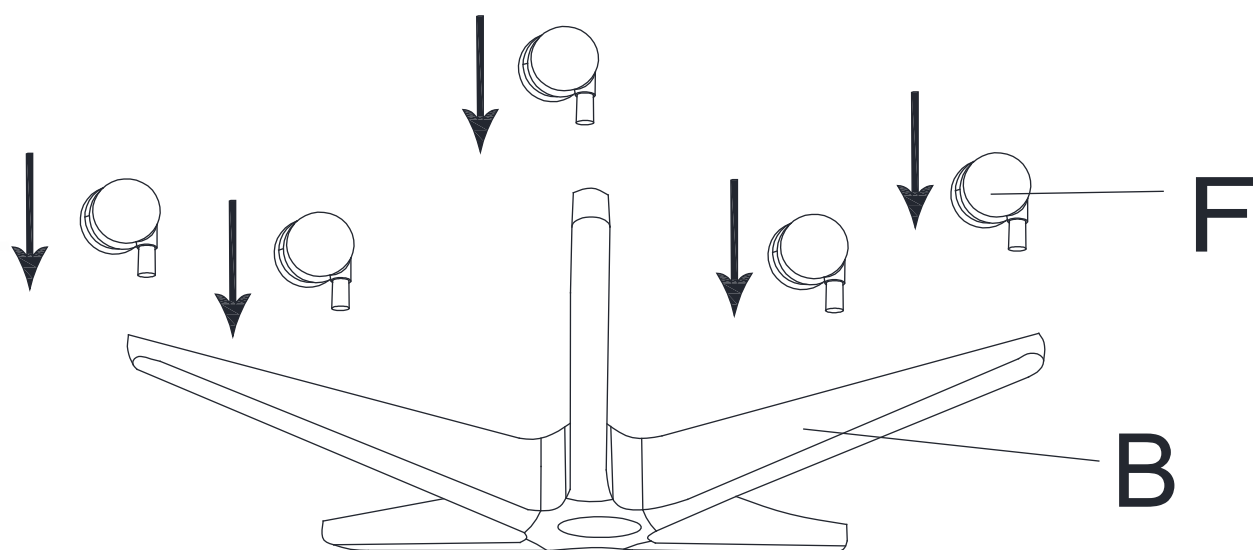
\*Any problems such as damaged during shipment, missing screws or installation problems, please contact us via email [Warehouse@jddtech.net](mailto:Warehouse@jddtech.net)

1



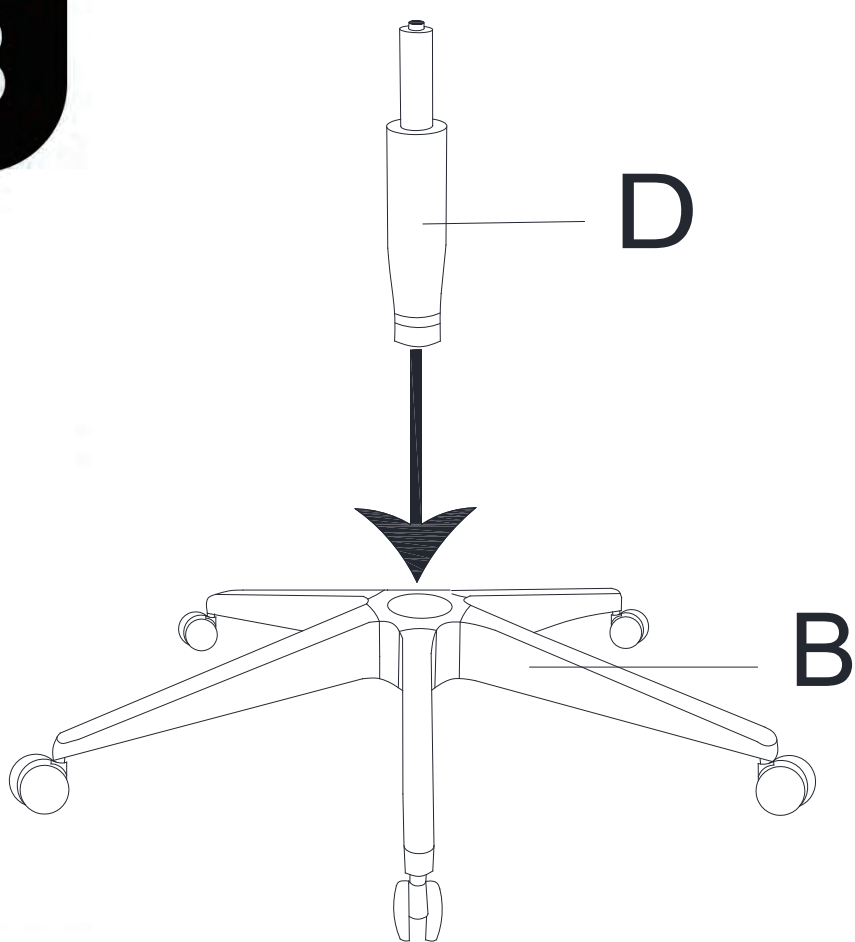
Attach base legs(B)to chair base(I)

2



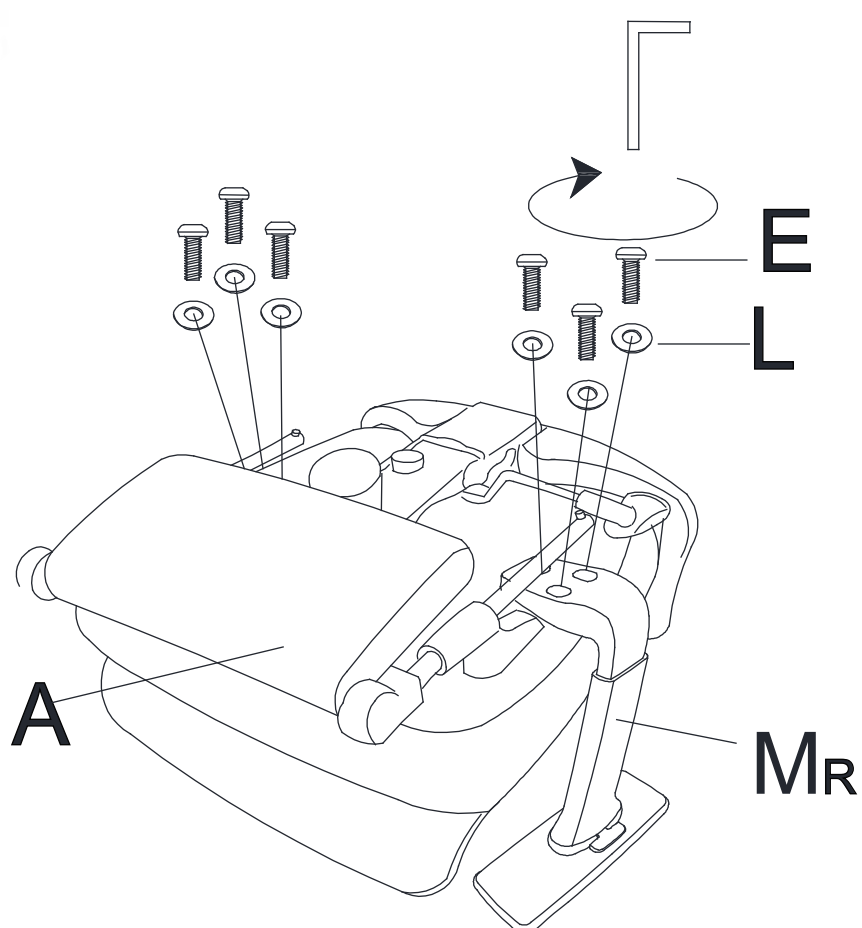
Insert 5 wheels(F)into the slot of the base leg(B)

3



Install gas lift(D)ito the five star base(B)

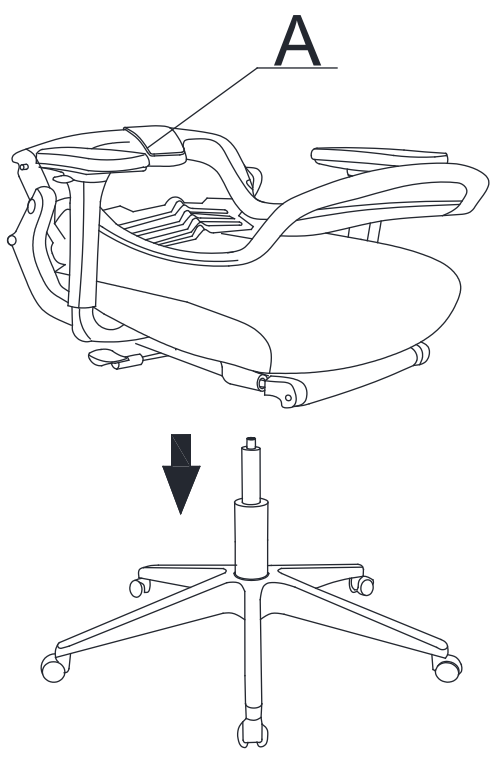
4



Attach the armrests(M)to the Seat(A)with the 6 screws M6\*35(E)and the 6 gaskets M6\*14\*1.2(L)

Tips: The left and right armrests are distinguished by the mark (L/R) on the armrests.

5



Place the Seat(A) on the gas lift(D)

6



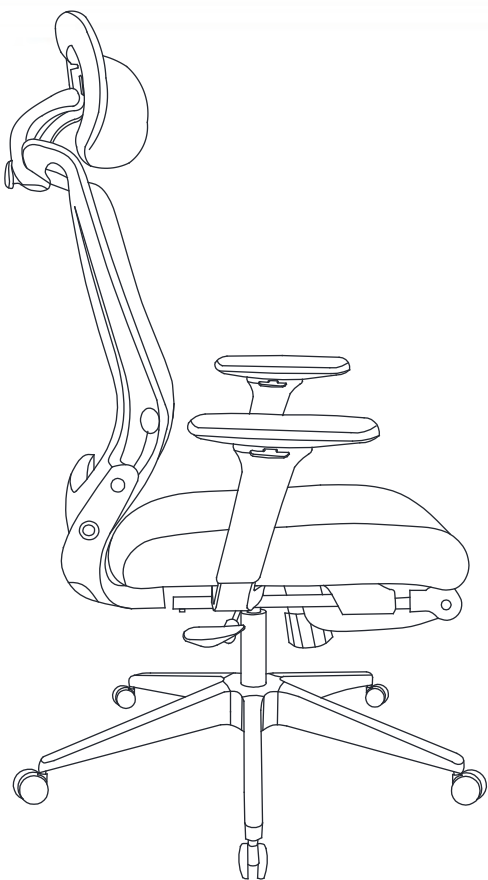
Lift the chair's backrest, and lock the back when clicked.

7



Fix the headrest(G) on the backrest. Check the chair to make sure all parts and screws are securely tightened

8



Chair Assembled

# Function Introduction

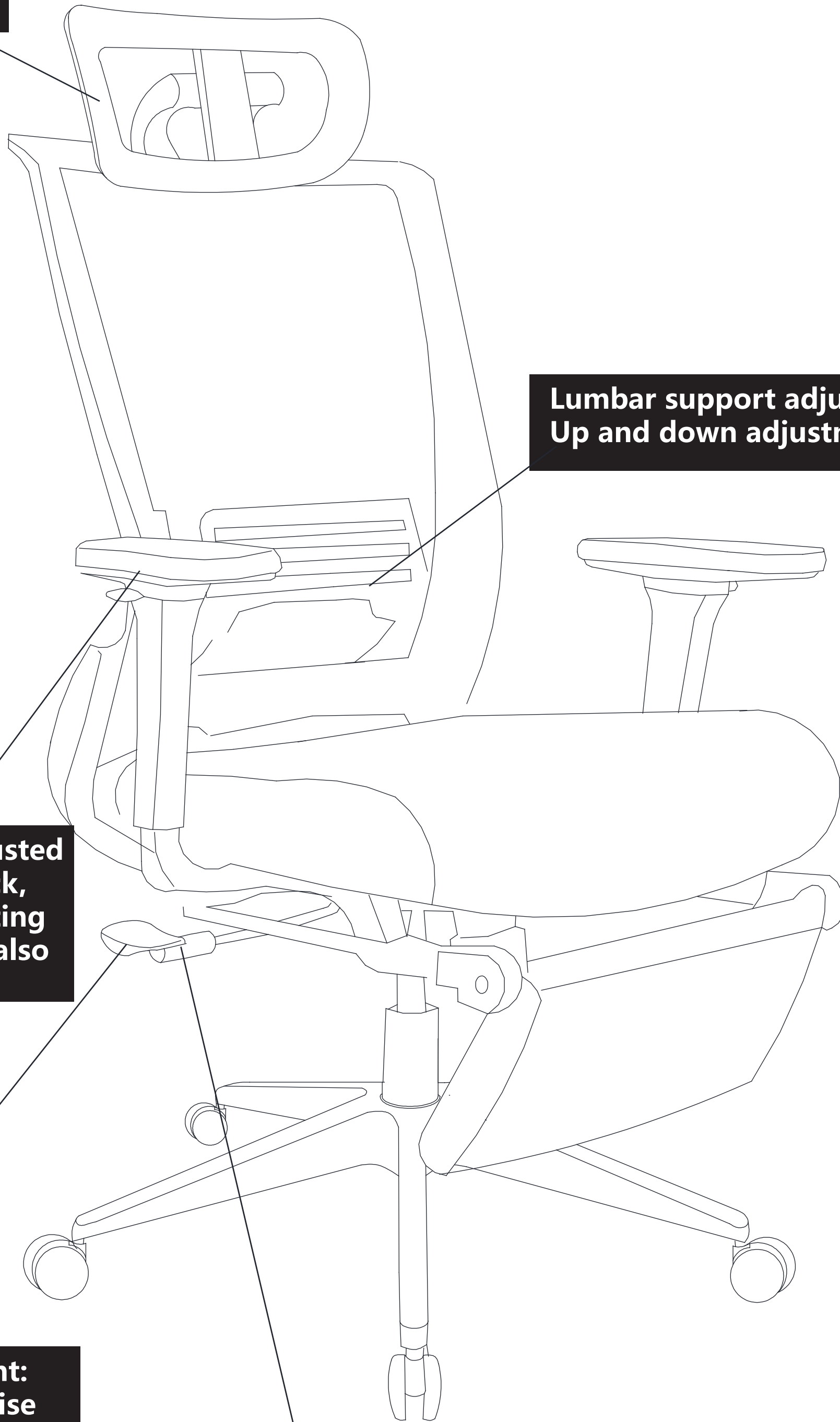
**Headrest adjustment:**  
Adjust the height and angle of the headrest

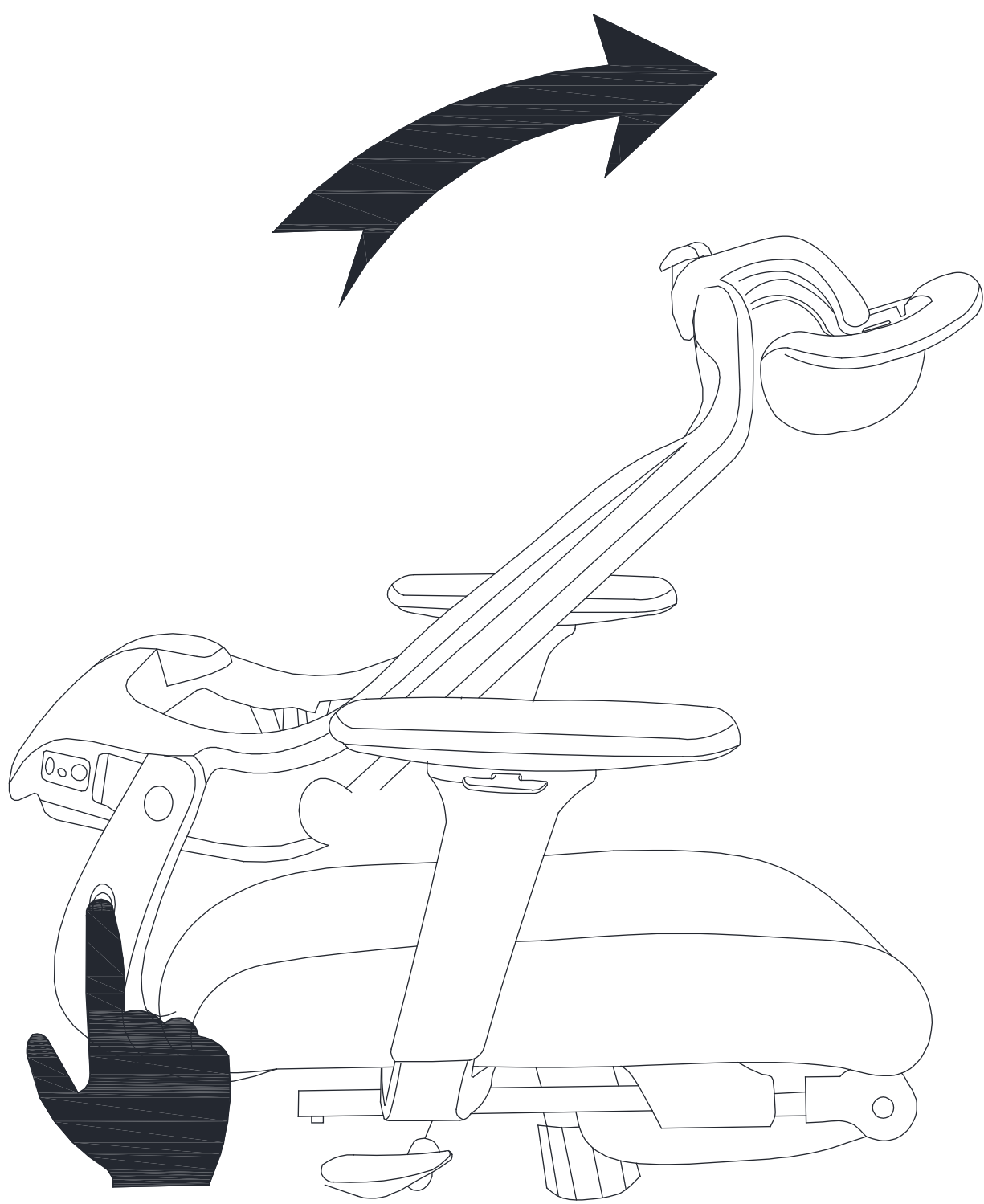
**Lumbar support adjustment:**  
Up and down adjustment 60MM

The armrest can be adjusted up & down, front & back, in & out as per your sitting posture. The angle can also be adjusted.

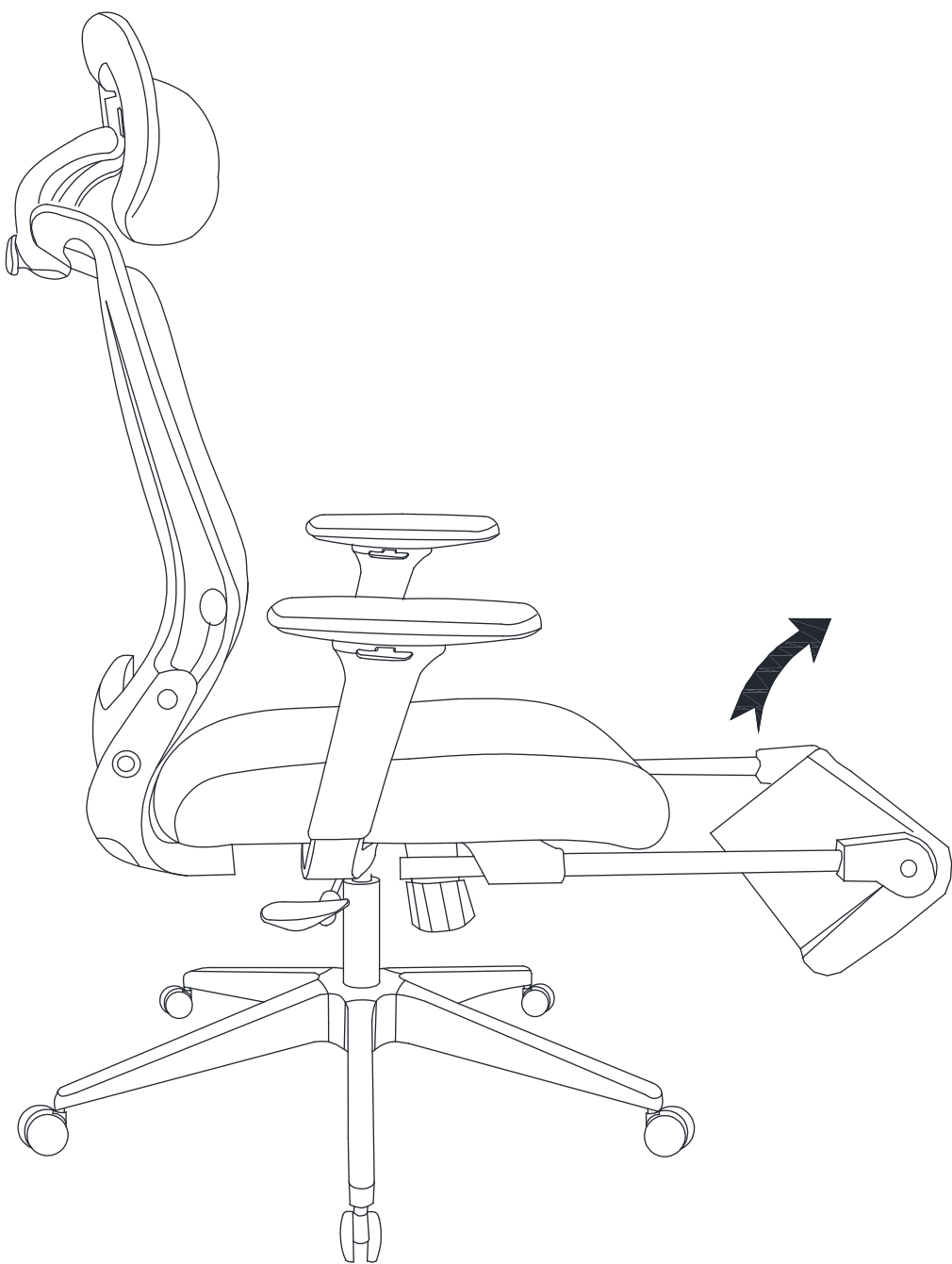
**Seat height adjustment:**  
Press the handle to raise or lower the chair  
**UP:**  
Requires a slight butt lift when turning the handle  
**Down:**  
Sit on a chair while turning the handle

**Backrest adjustment:**  
Pull out the handle to adjust it backward, and push the handle chair to lock (Can be fixed at 4 angles). It takes a bit of body pressure on the backrest to bring it back to a smaller angle.

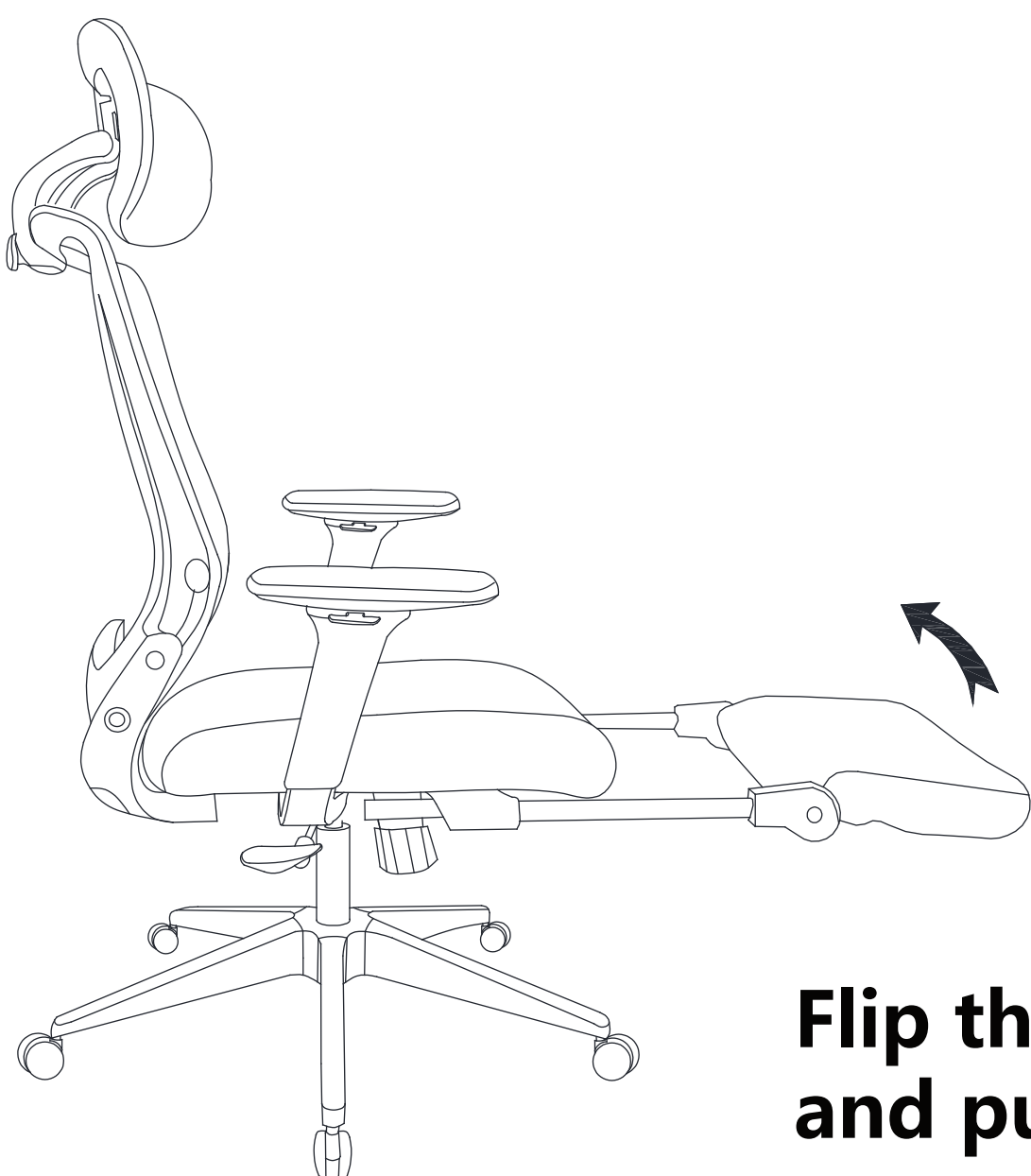




**Standing behind the chair,  
press the button with both  
hands to fold the backrest**



**Pull out the footrest/leg rest,  
flip the pedal**



**Flip the pedals to their original position  
and push the footrest/leg rest**