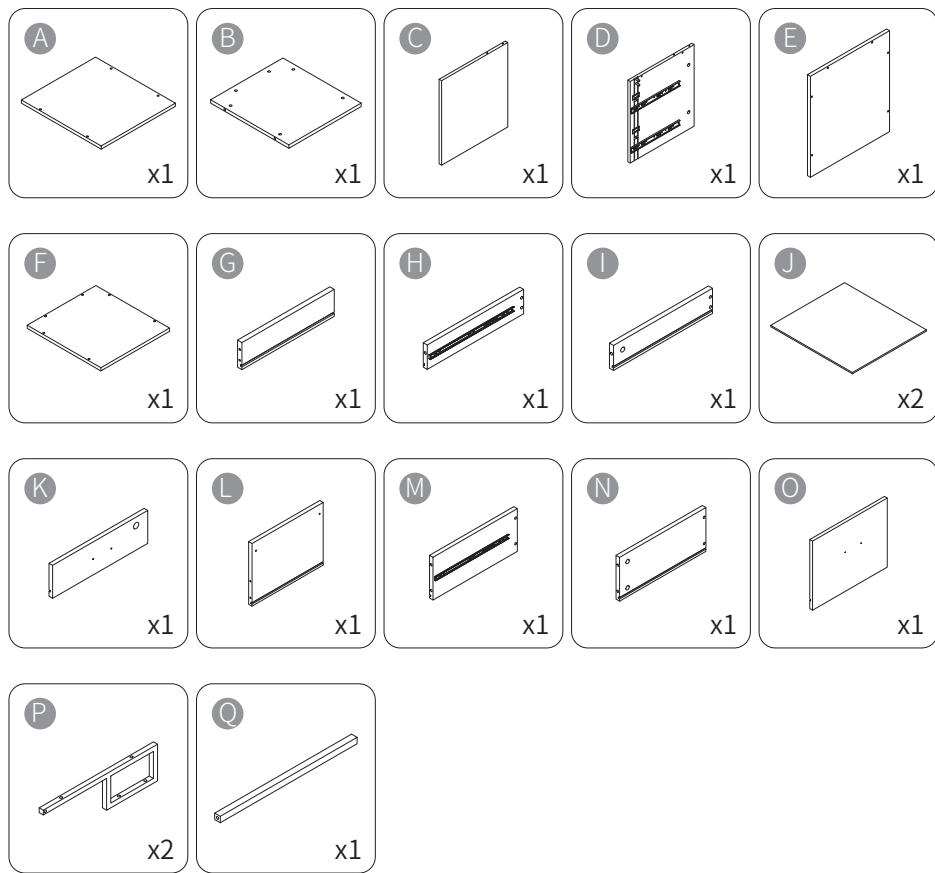


Thank you for choosing our product.

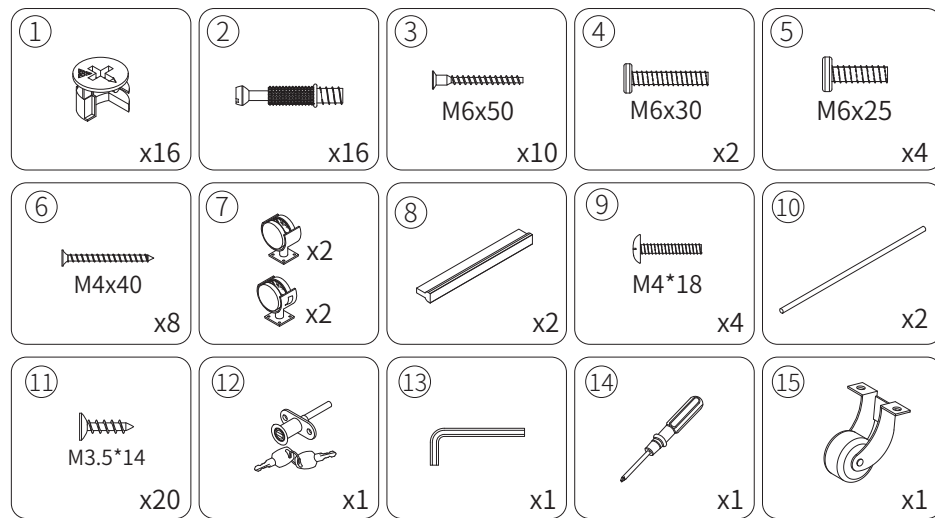
Please share your product experience if you are happy with it. Feel free to contact us on Amazon in case of any problem regarding assembling or the product itself.

ASSEMBLY INSTRUCTION

Part List of Desk



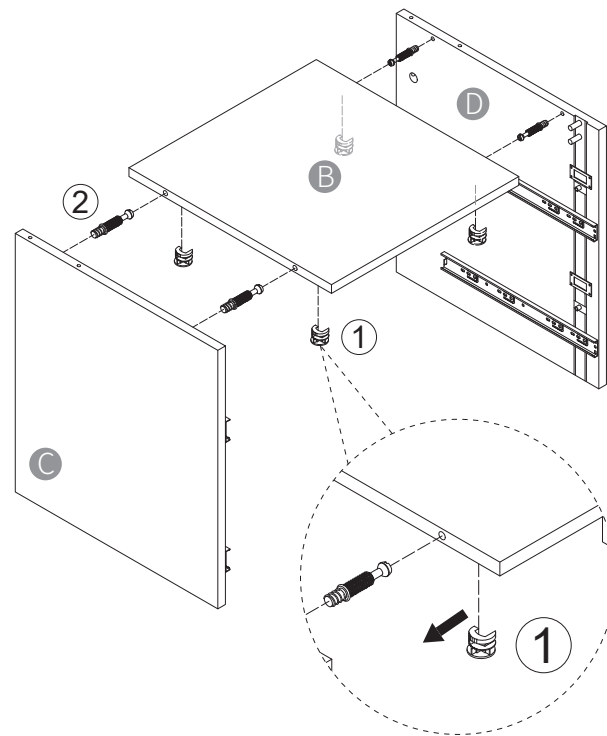
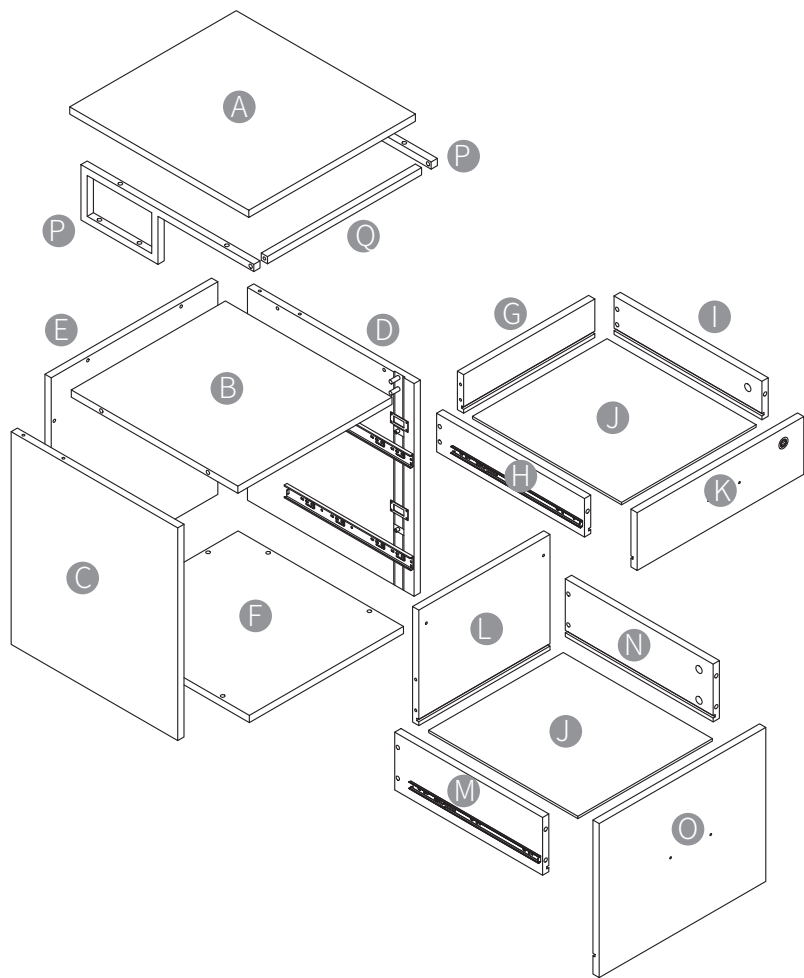
Assembly Part of Desk



Important

1. Before you begin: Lay out all parts on a clean surface to check if the tags and numbers are correct.
2. Don't screw tightly before all the screws are put into the corresponding holes.
3. Please use the screws correctly, otherwise you might damage the desk panel.
4. It is recommended to install this file cabinet by two people.

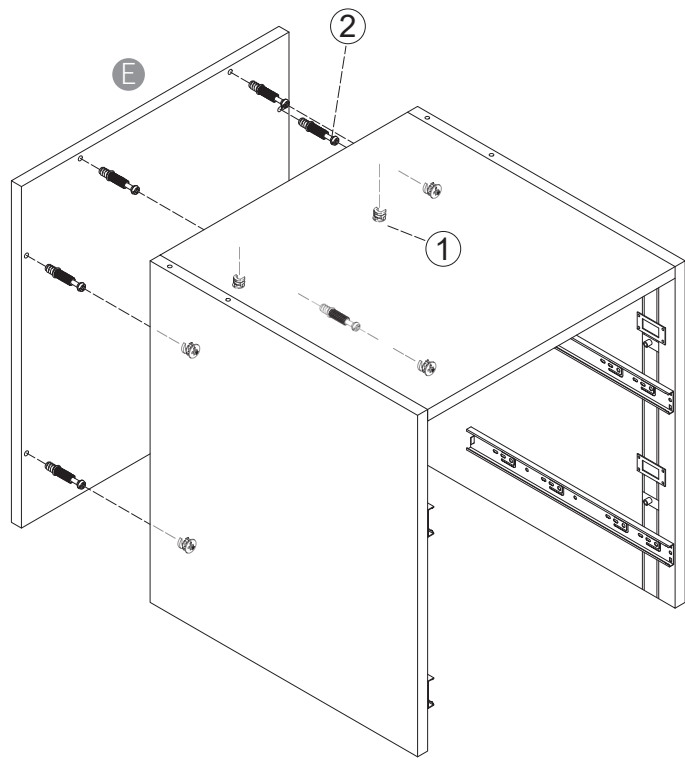
Step 1



Please point the arrow to screws holes when installing the eccentric gear, and tighten it clockwise to fix the board after installing the board.

① x 4
② x 4

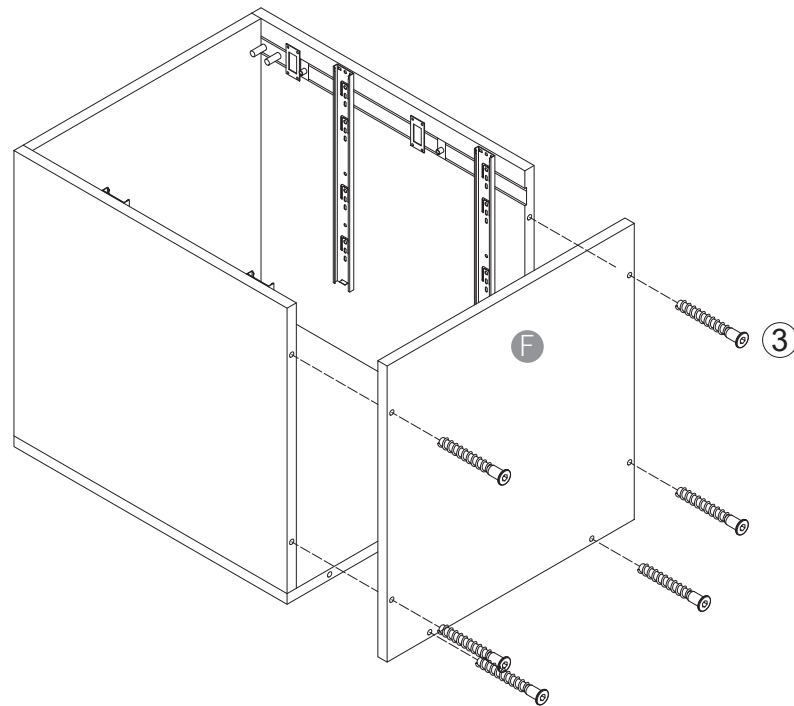
Step 2



① x 6

② x 6

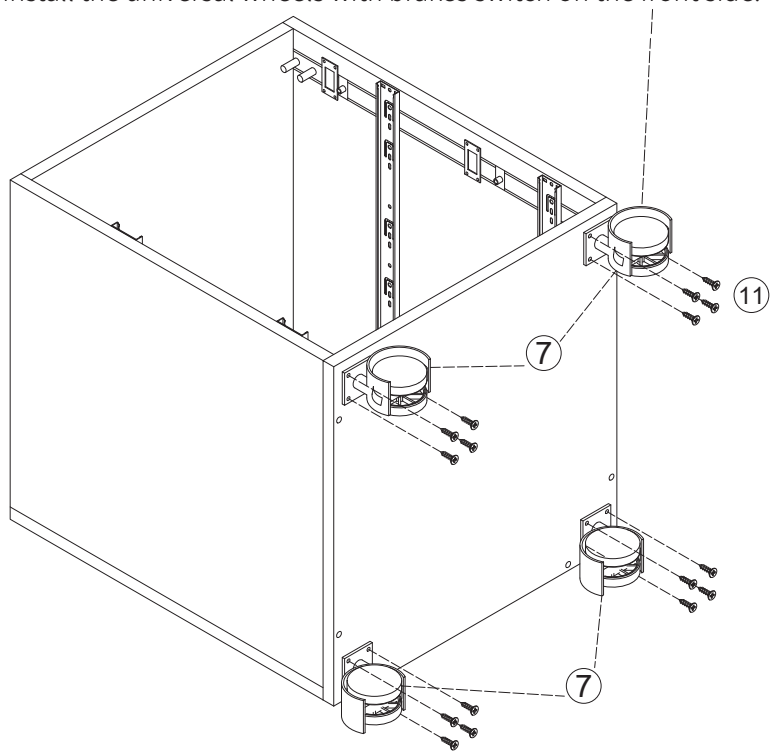
Step 3



③ x 6

Step 4

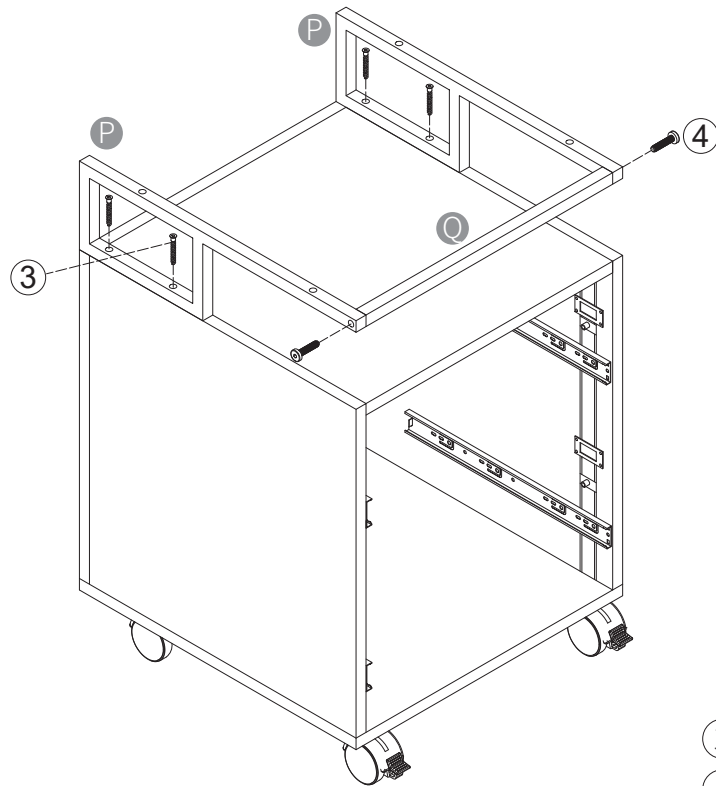
Please install the universal wheels with brakes switch on the front side.



⑦ x 4

⑪ x 16

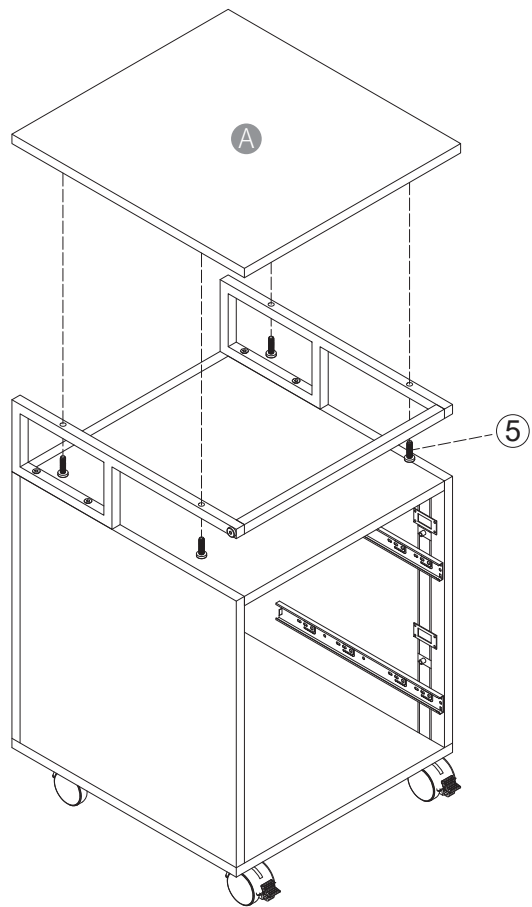
Step 5



③ x 4

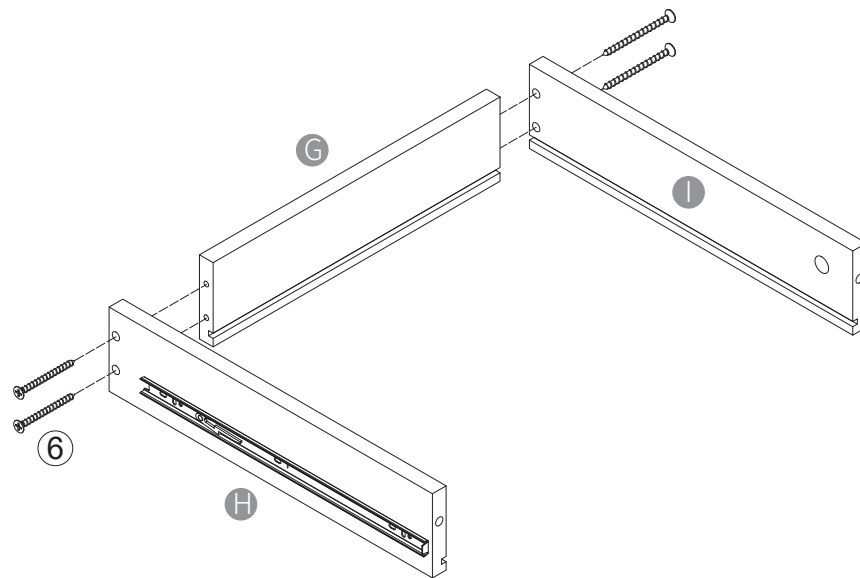
④ x 2

Step 6



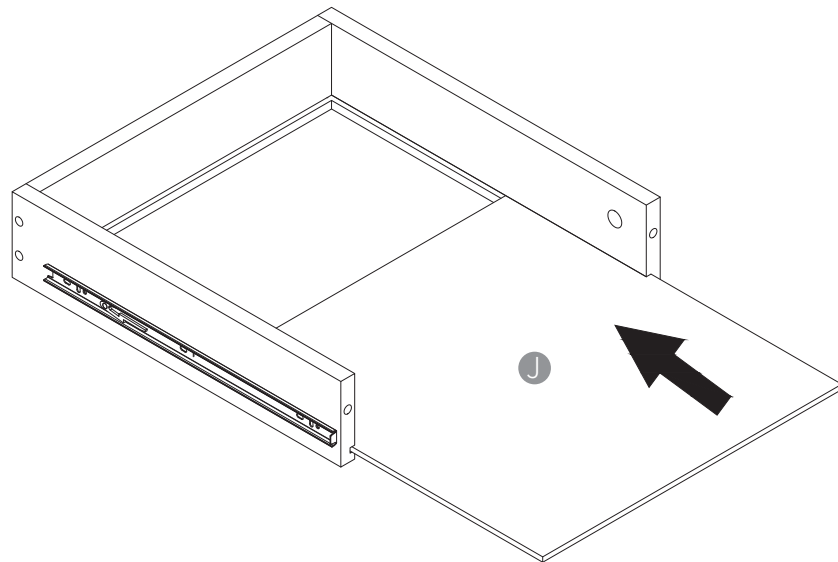
⑤ x 4

Step 7



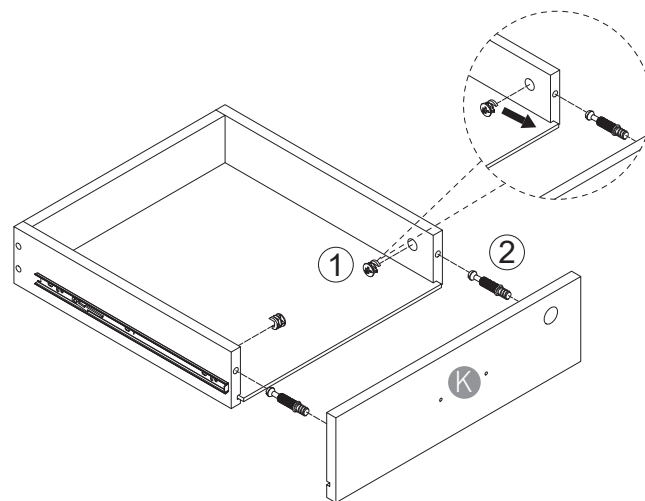
⑥ x 4

Step 8



Step 9

Please point the arrow to screws holes when installing the eccentric gear, and tighten it clockwise to fix the board after installing the board.

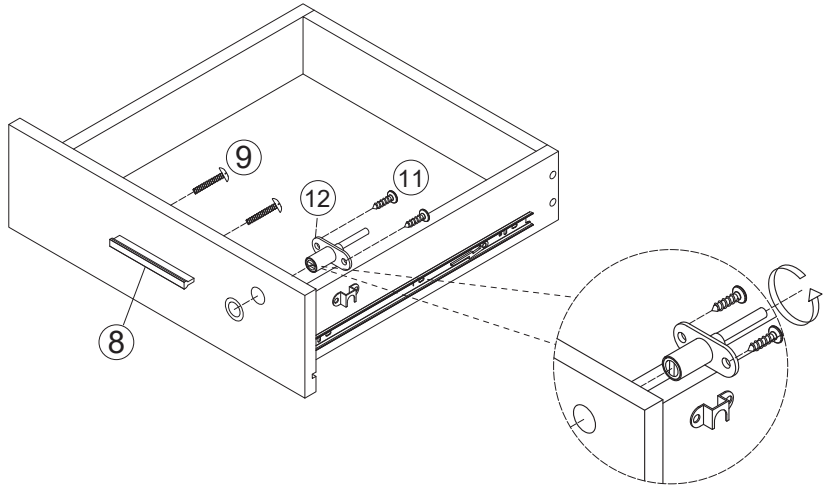


① x 2

② x 2

Step 10

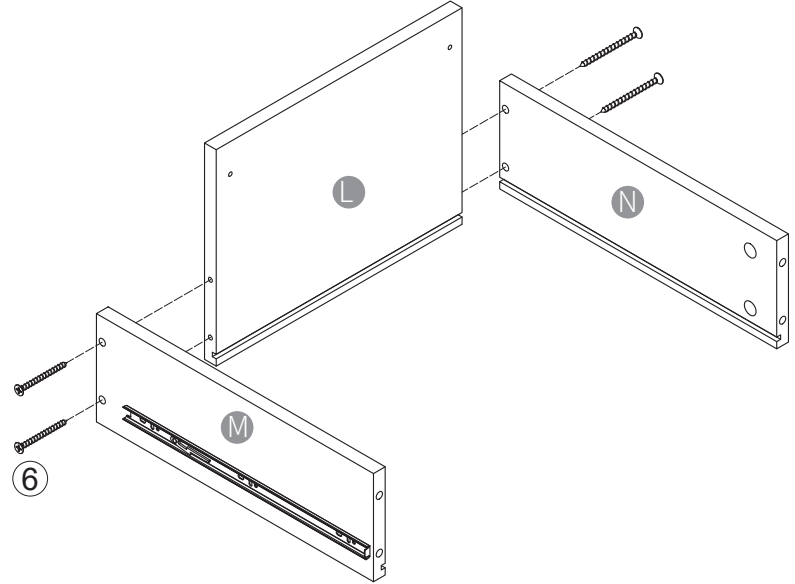
If you cannot lock the drawer successfully,
please reverse the lock cylinder.



When installing the lock cylinder, please keep the column of
the lock cylinder can only be rotated on the right side

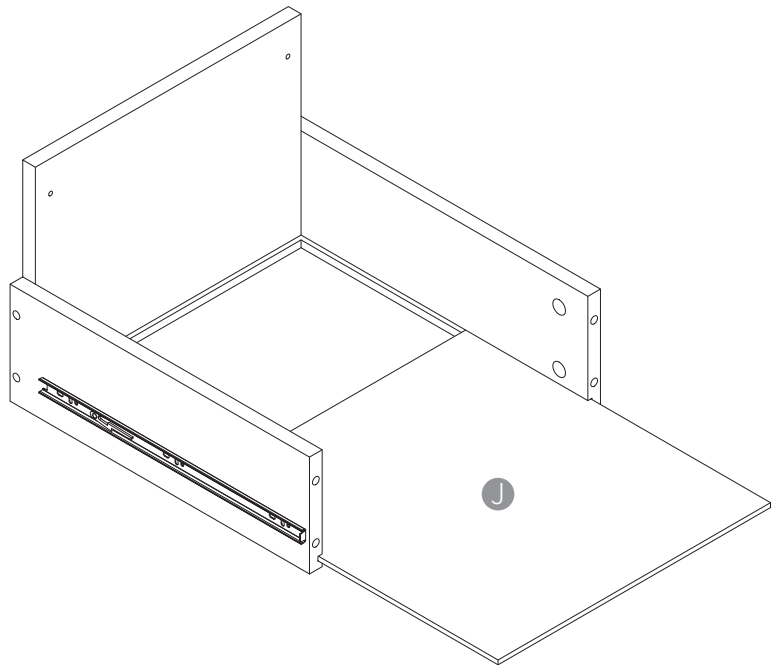
- ⑧ x 1
- ⑨ x 2
- ⑪ x 2
- ⑫ x 1

Step 11

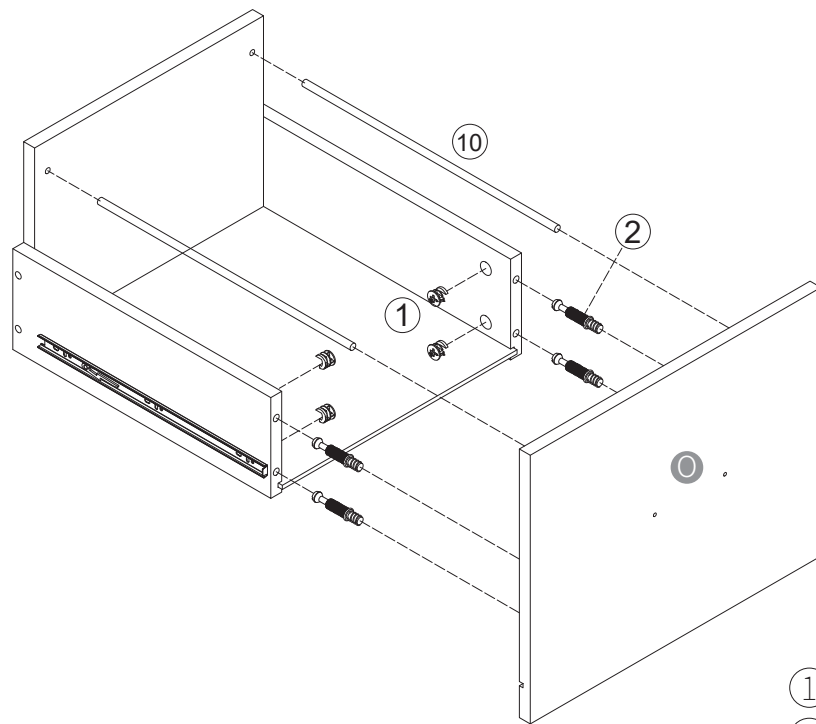


- ⑥ x 4

Step12

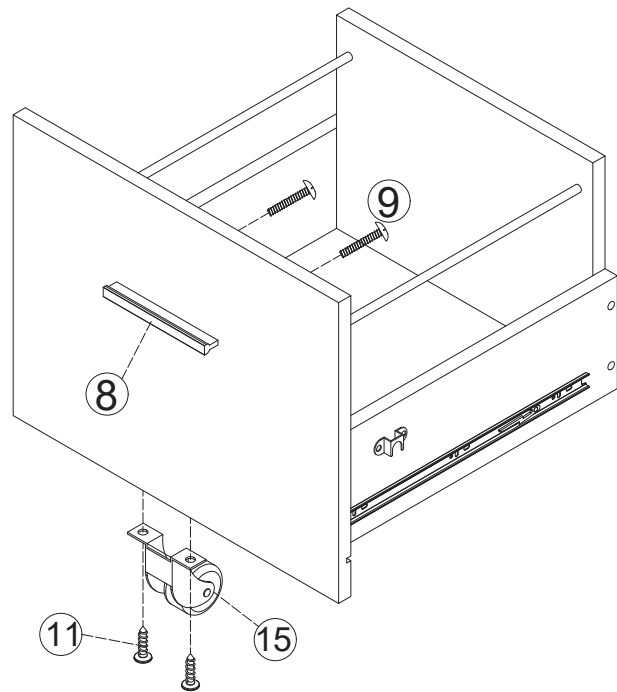


Step 13



- ① x 4
- ② x 4
- ⑩ x 2

Step14



- ⑧ x1
- ⑨ x2
- ⑪ x2
- ⑮ x1

Step 15

