

# FAMISKY

Crank standing desk



---

Assembly Instruction

for use with

FAMISKY Desktops 40" and larger

For Assembly assistance, email [service@famisky-us.com](mailto:service@famisky-us.com)

---

## Caution



Keep children and pets away from the electric height-adjustable desk during the operation. Unplug the power cord during a thunderstorm or if you do not intend to use the desk for a long time.



Make sure desktop not touching the wall.



Ensure no obstacles in the desk's path and no object above and 20" under the desk.



Working environment temperature 0-40°C, keep products away from corrosive gas, liquid and dusty objects.



It is strictly forbidden to disassemble the products privately to avoid that the failure of the products or the damage to the human body caused by electronic products, etc.



Although the product with anti-collision function, in order to avoid any pinching, please ensures that hands or other parts of your body are in a safe position during the operation. Anti-collision is not enabled during all resets.

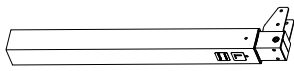


Please read the following instructions carefully before start using the high-adjustable desk. The company does not bear any warranty or liability for damage and human injury caused by any abnormal operation.

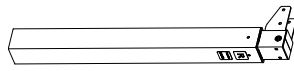


It is necessary to reset manually after the initial installation or power off.

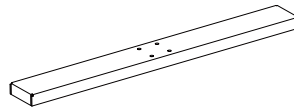
# Parts List



A-Leg (L) ×1



B-Leg (R) ×1



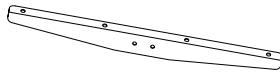
C-Foot × 2



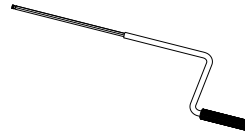
D-Transmission rod × 1



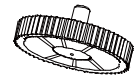
E-Crossbar Assembly ×1



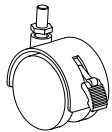
F-Desk top Brackets ×2



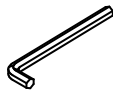
G-Handle × 1



H-Flat footrest × 4



I-Optional caster ×4



J-Hexagonal Wrench 5mm



K-Simple wrench 10&14 × 1



L-Bracket × 1



M-Hook ×2



N-ST 4.8×12 ×22



O-M6×16 ×8



P-M6×12 ×4



Q-M6×12 ×8



R-M6 Nut ×8



S-Pin ×5



T-Hexagonal Wrench 2mm



U-Handle clasp ×1



V-Handle holder ×1

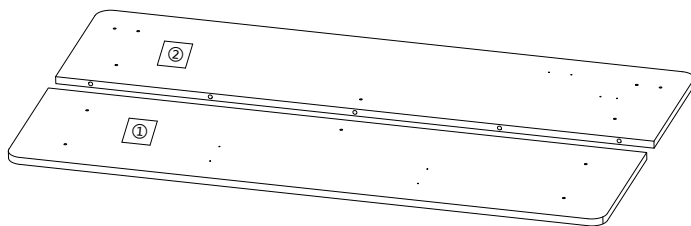


W-Handle bracket ×1



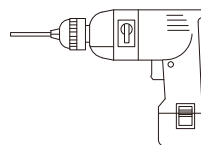
**Note:** please watch the installation guide before assembly.

Video installation guide: <https://youtu.be/oRy5dVDVseE>



X-Table board 1/2

## Tools Needed (Not Included)



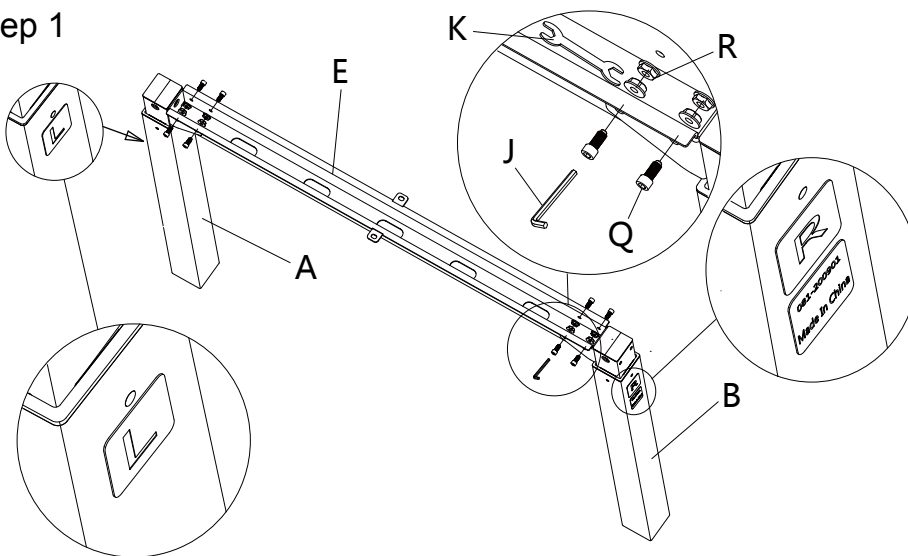
Electric Drill



Phillips Screwdriver

# Assembly

## Step 1



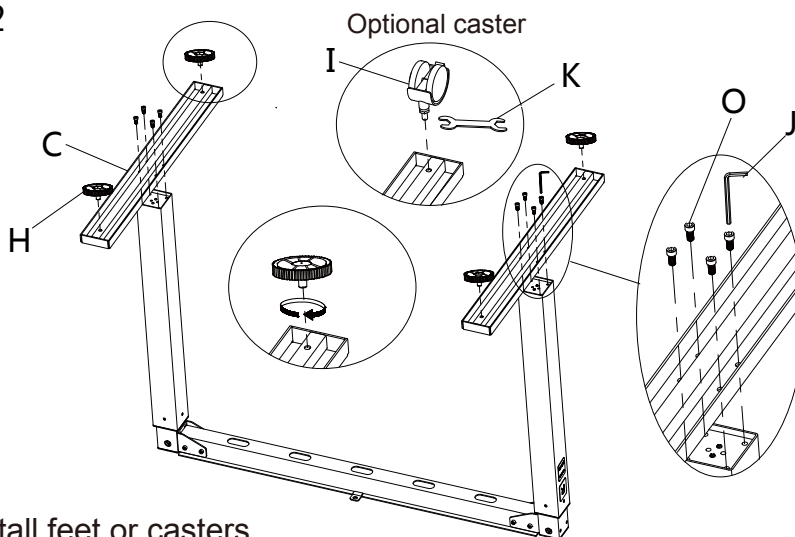
Video Installation Guide: <https://youtu.be/pIRvCBjfhxo>

**!** Please make sure you have viewed this installation video before assembly.

### Checklist

- A Leg (L) ×1
- B Leg (R) ×1
- E Crossbar Assembly ×1
- Q M6×12 ×8
- R M6 Nut ×8
- J Hexagonal Wrench 5mm
- K Simple wrench 10&14 ×1

## Step 2

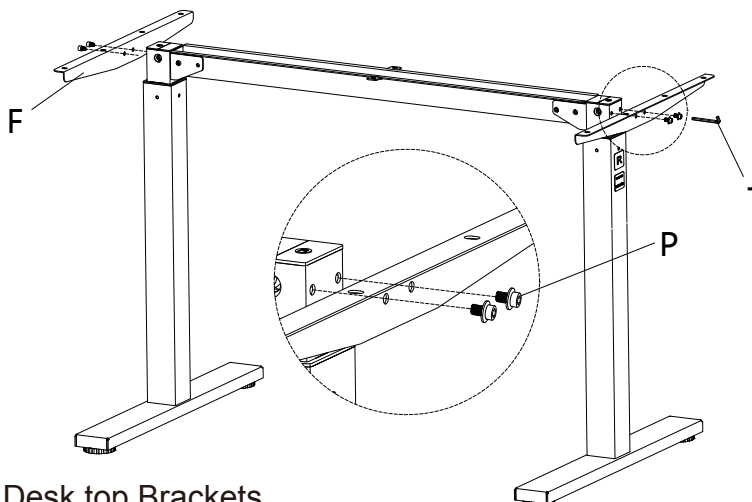


Install feet or casters.

### Checklist

- C Foot ×2
- H Flat footrest ×4
- O M6×16 ×8
- K Simple wrench 10&14 ×1
- I Optional caster ×4
- J Hexagonal Wrench 5mm

## Step 3



Install Desk top Brackets.

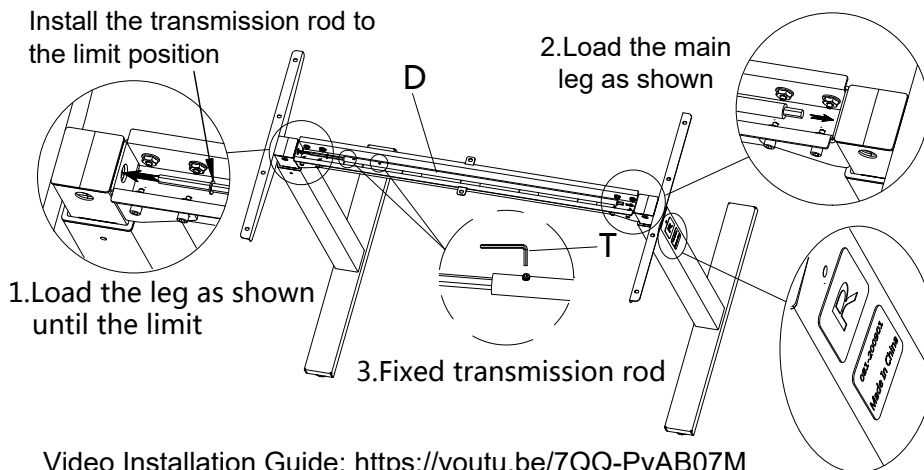
### Checklist

- F Desk top Brackets ×2
- P M6×12 ×4
- J Hexagonal Wrench 5mm

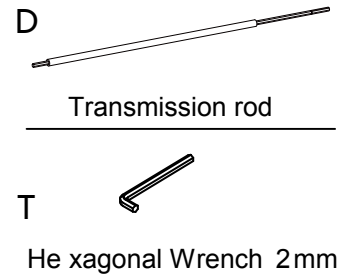


# Assembly

## Step 4



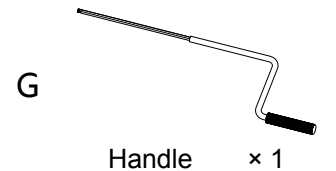
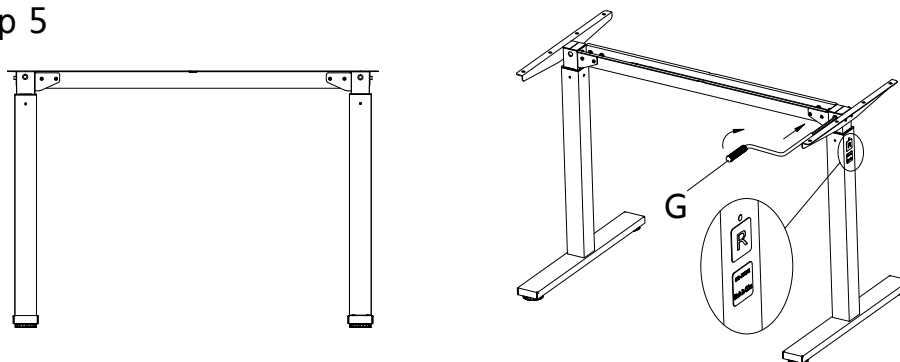
### Checklist



Video Installation Guide: <https://youtu.be/7QQ-PyAB07M>

**!** Please make sure you have viewed this installation video before assembly.

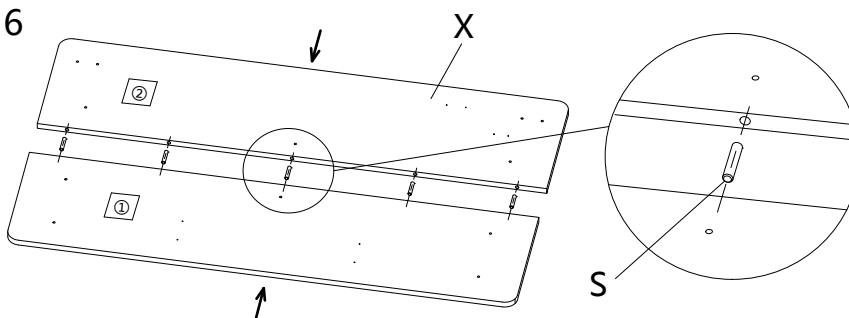
## Step 5



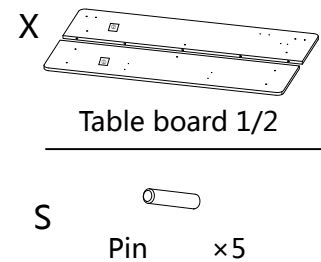
First make sure the legs are at the same height and the distance between the legs is the same as the distance between the crossbar ;

Insert the handle and turn clockwise.  
If the legs rise synchronously, remove the handle and start for next step.  
If the legs are out of sync, go back to step 4.

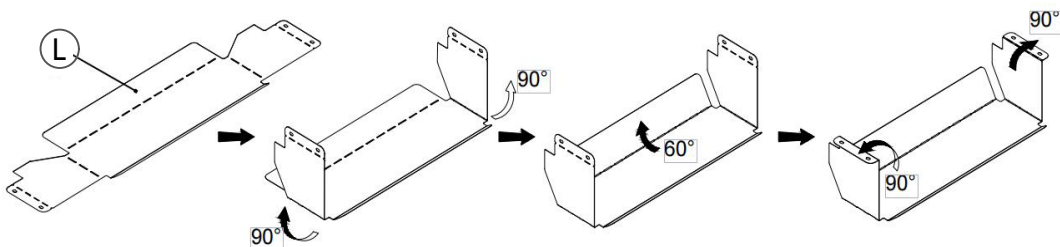
## Step 6



### Checklist

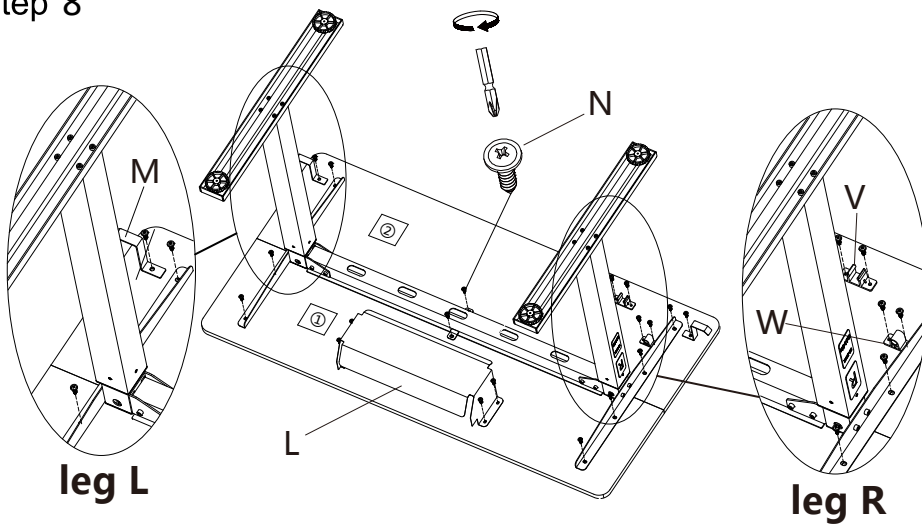


## Step 7





# Assembly

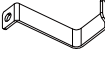
Step 8



## Checklist

W  Handle bracket x1

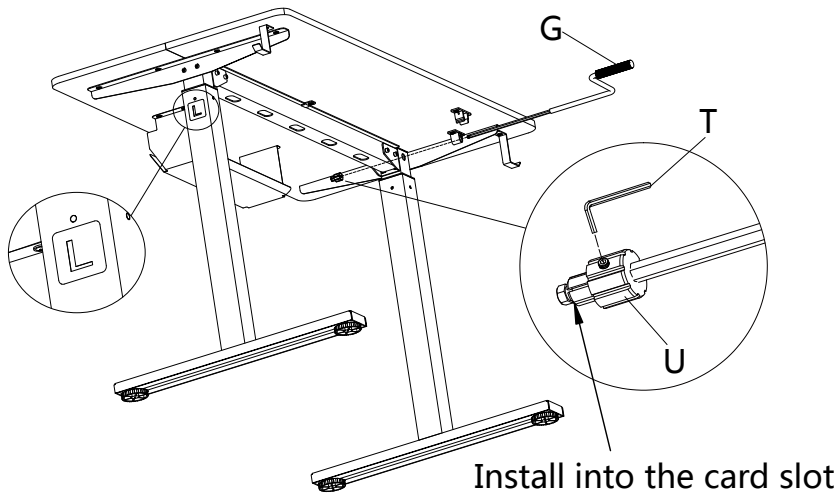
V  Handle holder x1

M  Hook x2


N  ST4.8\*12 x20

Use ST4.8\*12 tapping screws to secure the graphic parts to the table.

Step 9



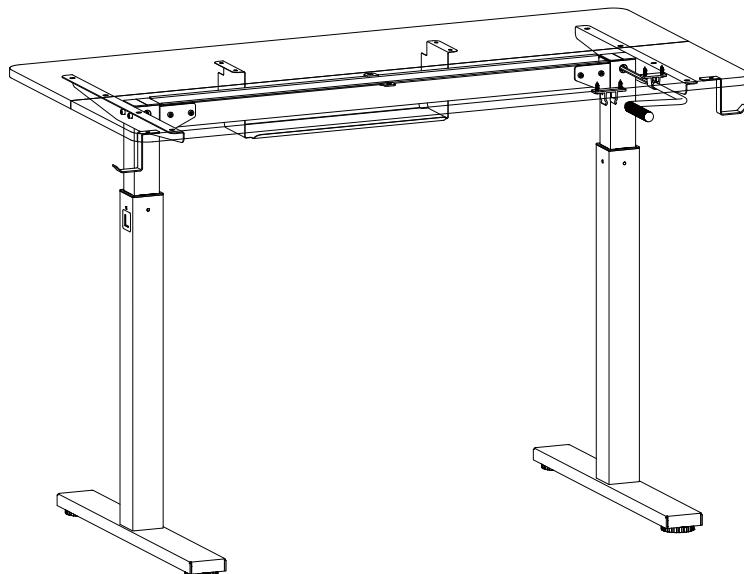
## Checklist

G  Handle x1

U  Handle clasp x1

T  He xagonal Wrench 2mm

Install into the card slot



## Why choose FAMISKY?

Many ergonomic office solutions come at high cost. Our mission is to use innovation, creativity, and efficiency to produce a more affordable solution that doesn't sacrifice quality and is easily accessible to the millions of home and office workers globally.



## WARRANTY SERVICE

To provide the best service to you, don't forget to register your FAMISKY product to confirm your warranty.

It only takes a few simple steps and then you can access a wide range of services such as technical support, new product alert, promotions, and warranty service from FAMISKY.

✉ Send your name and order ID to [service@famisky-us.com](mailto:service@famisky-us.com)

For more FAMISKY products, check out our website at: [www.famisky-us.com](http://www.famisky-us.com)