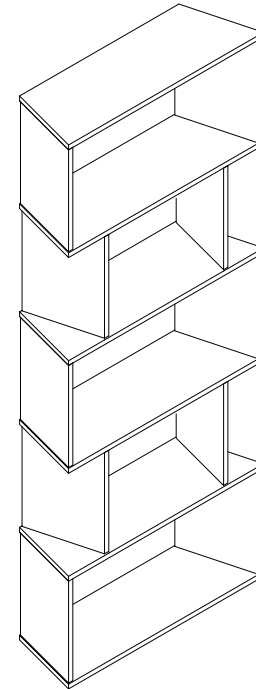




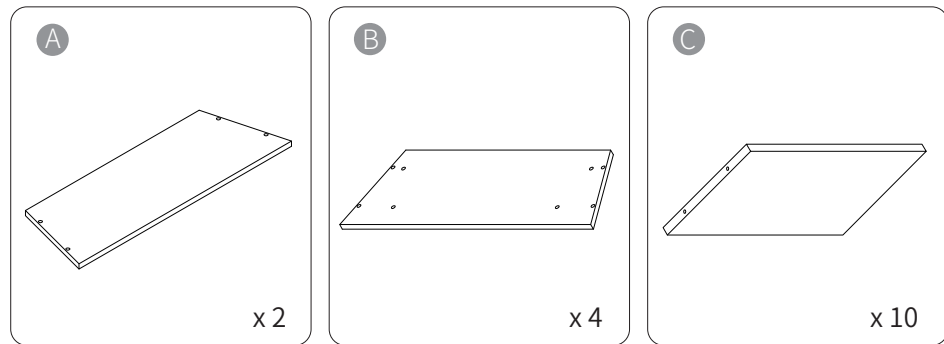
Thank you for choosing our product.

We care about your experience regarding both our product and after-sale service. If you have any problem with the product, or if you have ever contacted us but are still involved in the issue, please feel no hesitation to reach out to us.

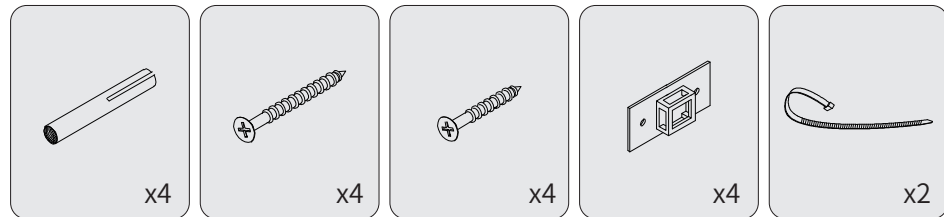


5-Tier Bookcase Installation Instruction

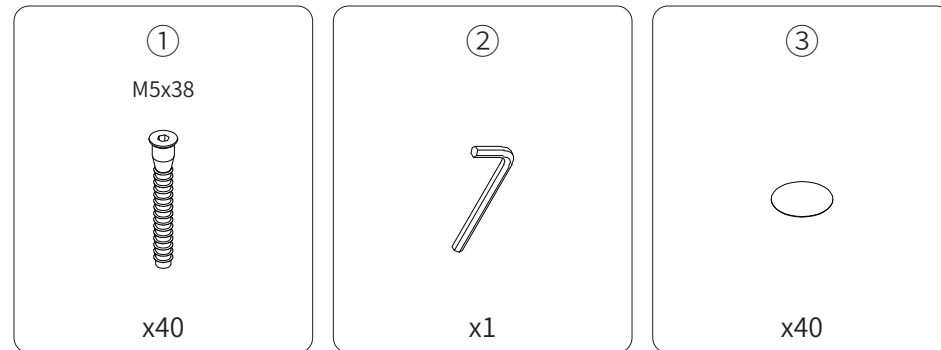
Part List of Bookshelve



Part List of Safety Accessories



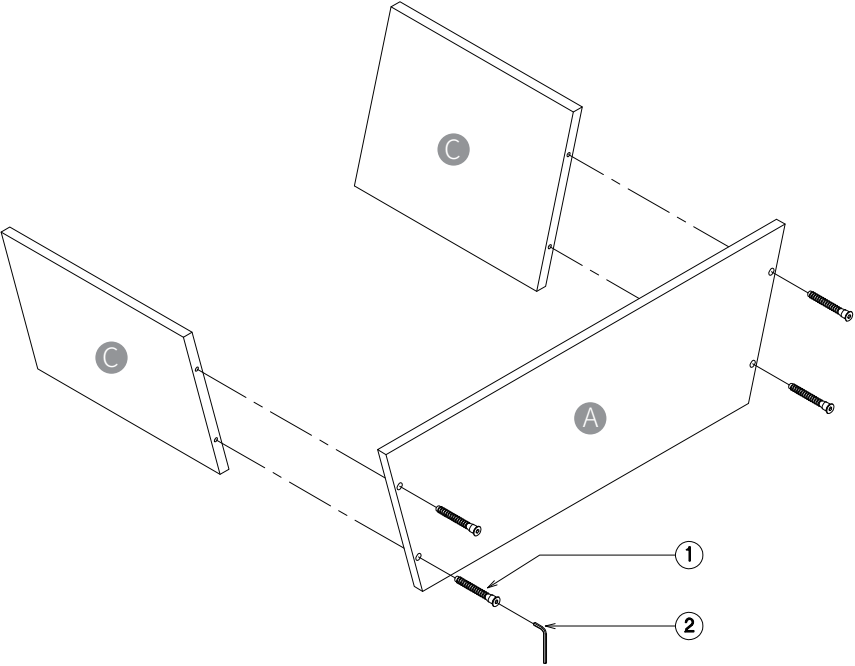
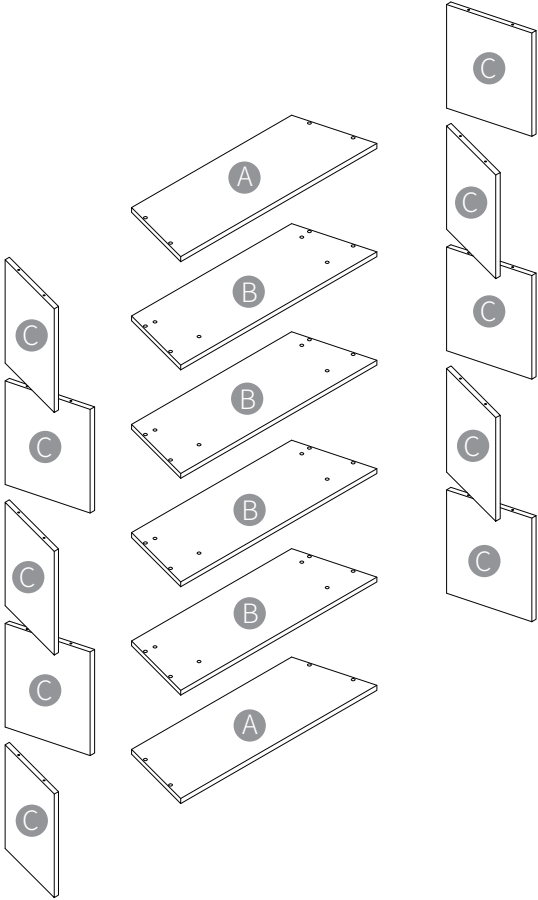
Assembly Part of Bookshelve



Important

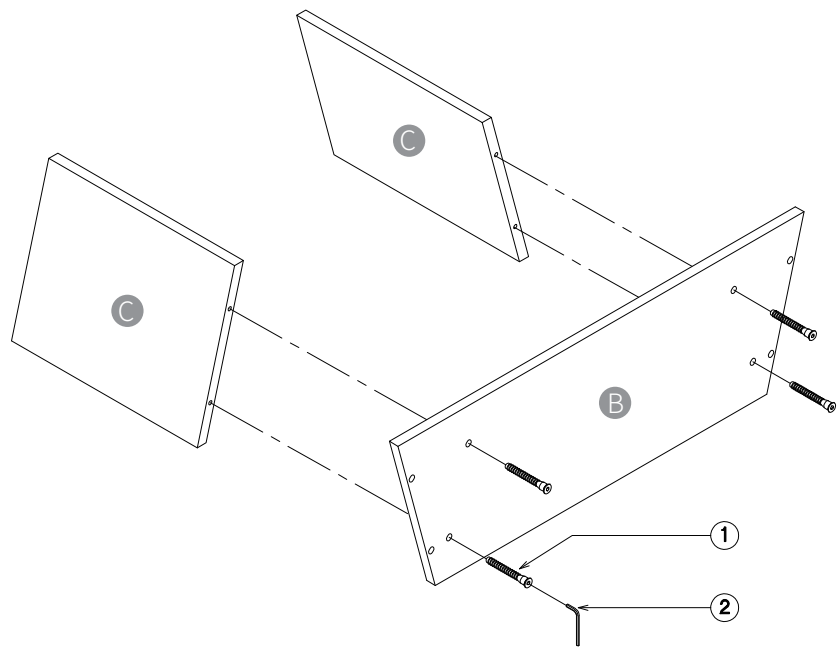
1. Before you begin: Lay out all parts on a clean surface to check if the tags and numbers are correct.
2. Don't screw tightly before all the screws are put into the corresponding holes.
3. Please use the screws correctly, otherwise you might damage the shelf panel.

Step 1



① x 4

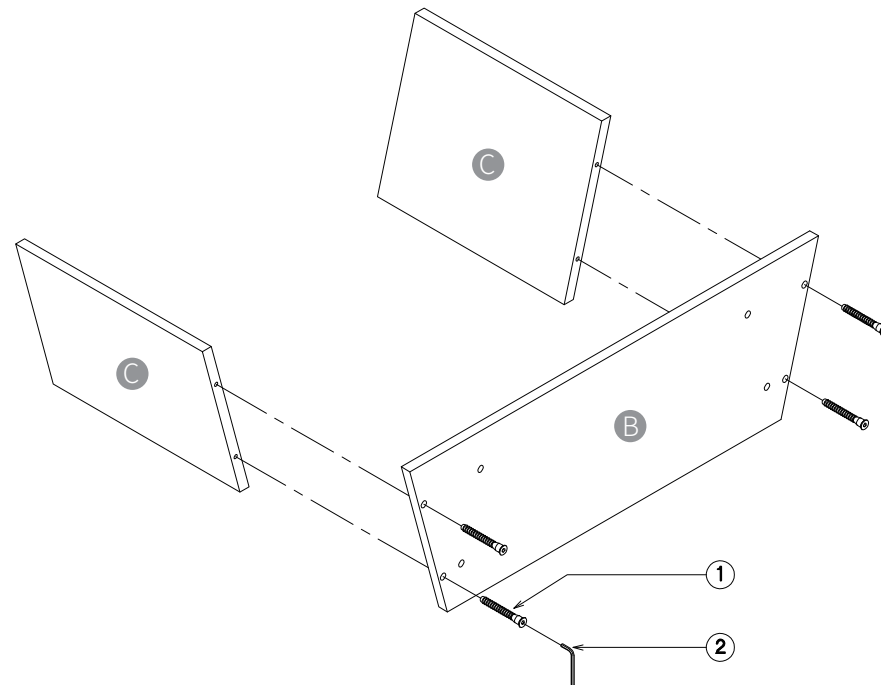
Step 2



Install one more of these components using the same procedure

① x 4

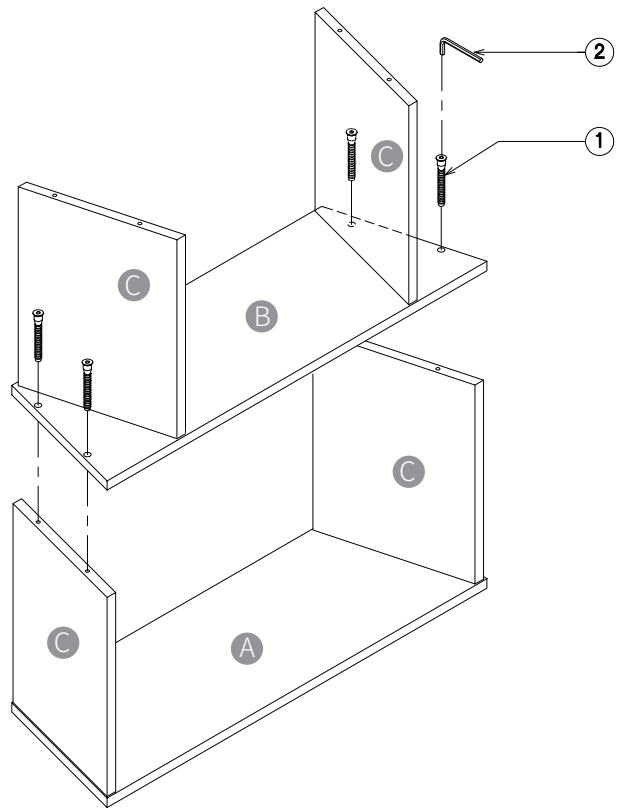
Step 3



Install one more of these components using the same procedure

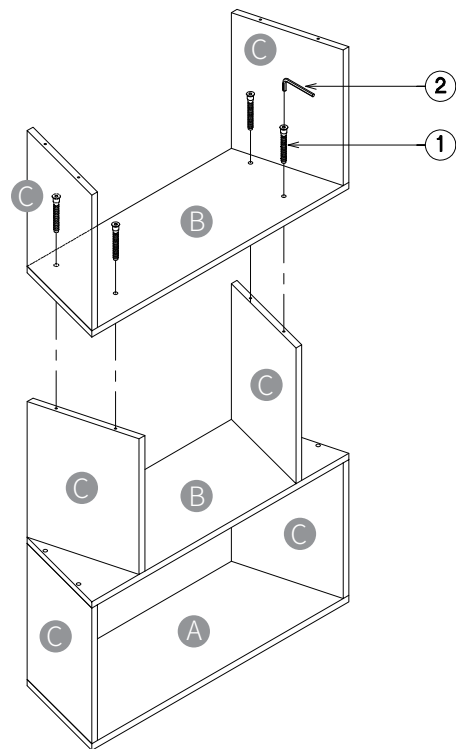
① x 4

Step 4



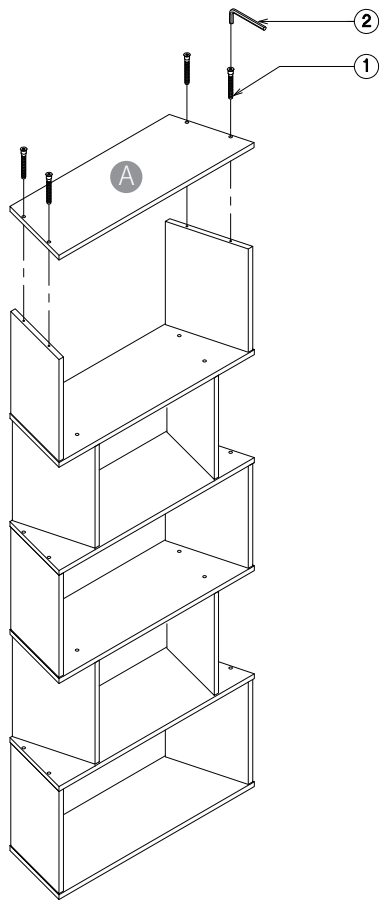
① x 4

Step 5



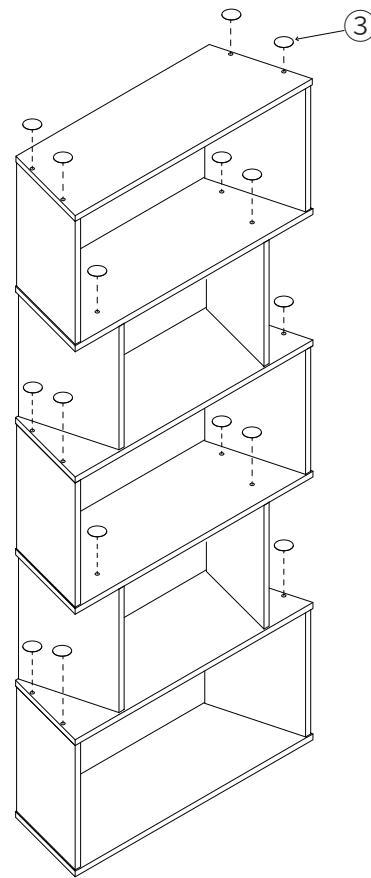
① x 4

Step 6



① x 4

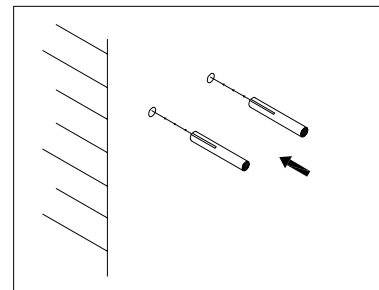
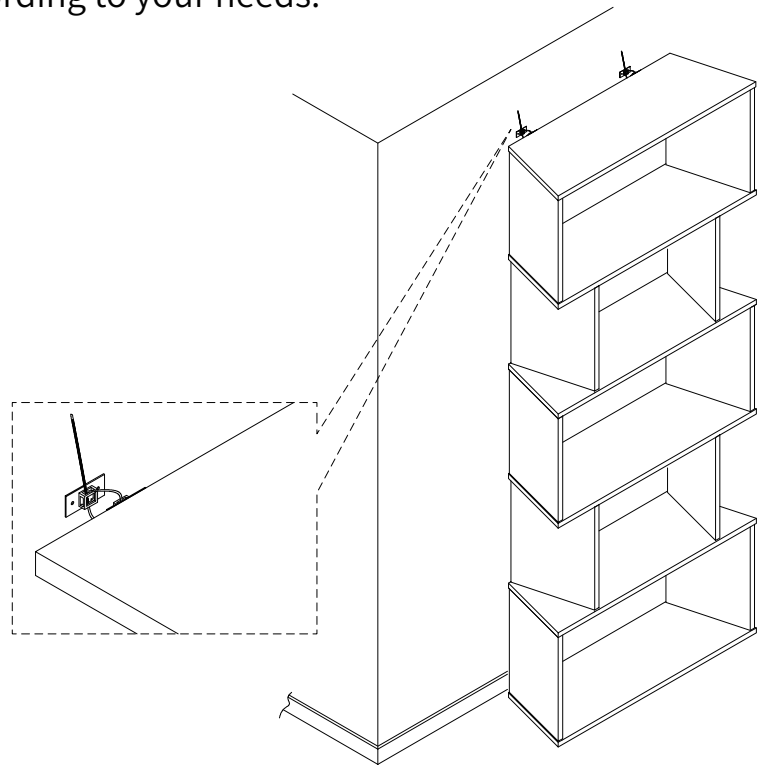
Step 7



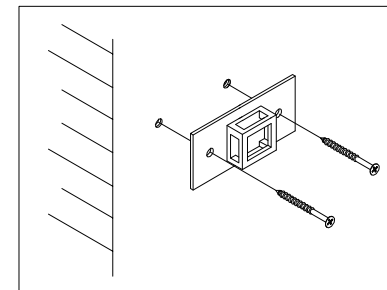
③ x 40

Safety kit:

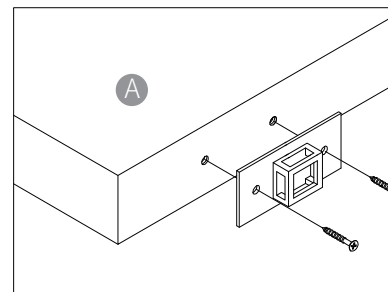
For your safety, we are equipped with safety accessories for you. You can choose whether or not to install the steps according to your needs.



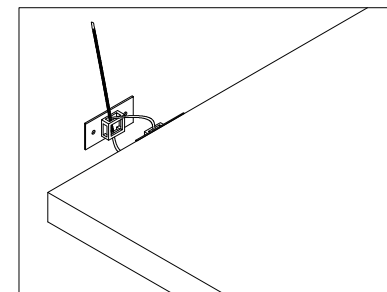
Mark on the wall according to the height and width of the top board A, and drill holes at the marked position with an electric drill, put fittings into the holes



Install the accessories onto the wall as shown in the diagram



Install the accessories behind the top of board A



Connect the board A to the wall with accessories