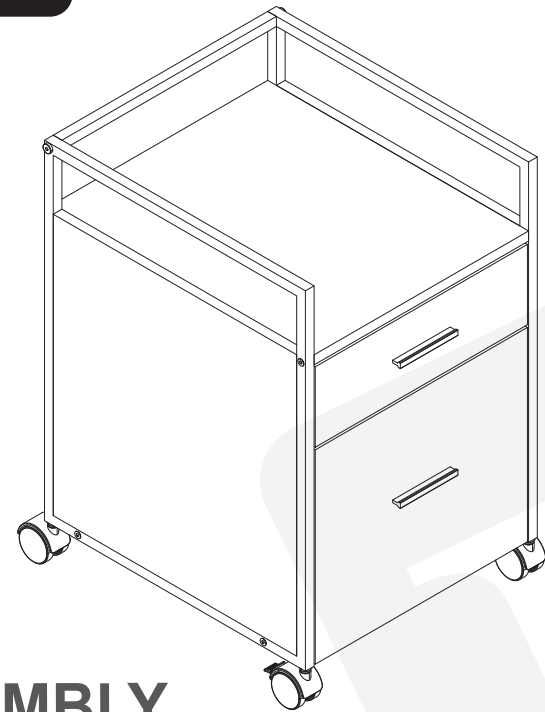




 service@fezibo.com

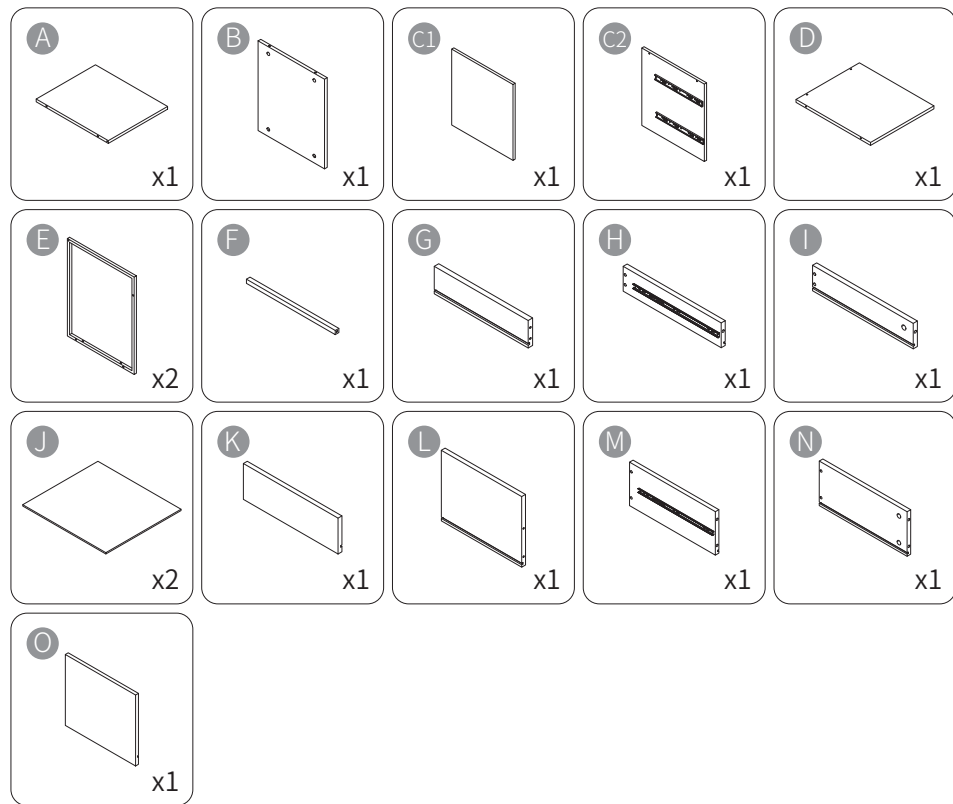
Thank you for choosing our product.

Please share your product experience if you are happy with it. Feel free to contact us on Amazon in case of any problem regarding assembling or the product itself.

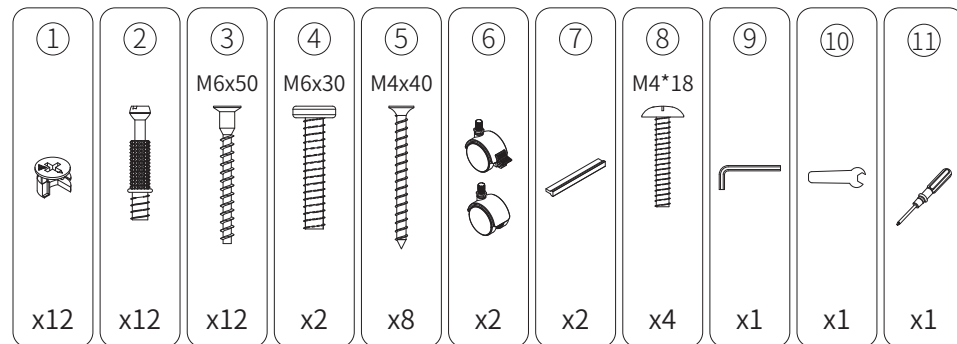


ASSEMBLY INSTRUCTION

Part List of Desk



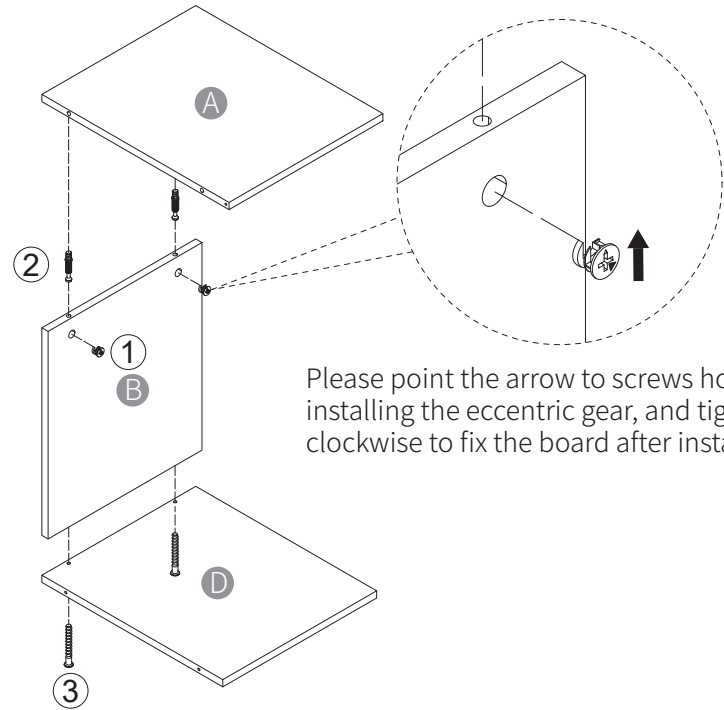
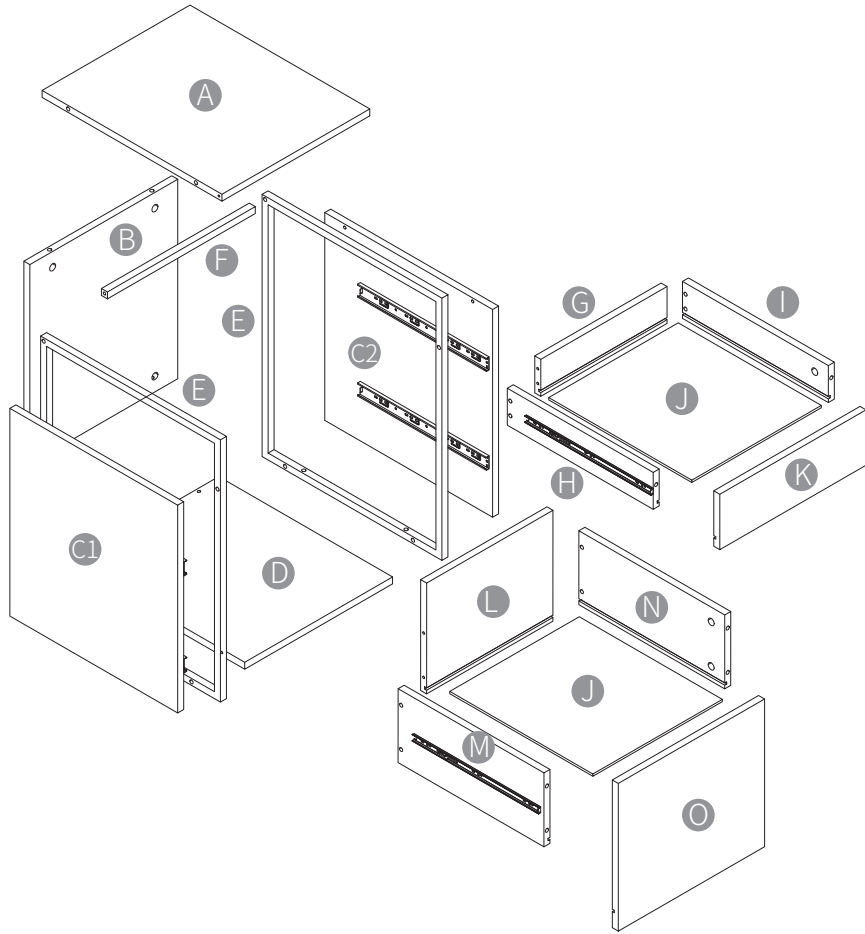
Assembly Part of Desk



Important

1. Before you begin: Lay out all parts on a clean surface to check if the tags and numbers are correct.
2. Don't screw tightly before all the screws are put into the corresponding holes.
3. Please use the screws correctly, otherwise you might damage the desk panel.
4. It is recommended to install this file cabinet by two people.

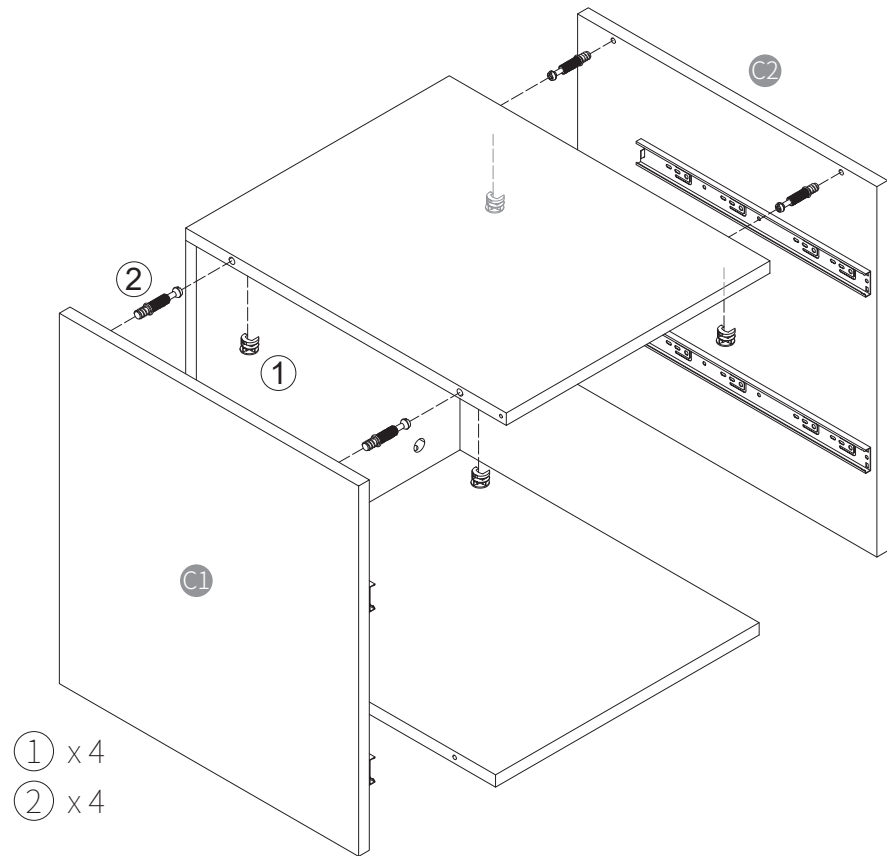
Step 1



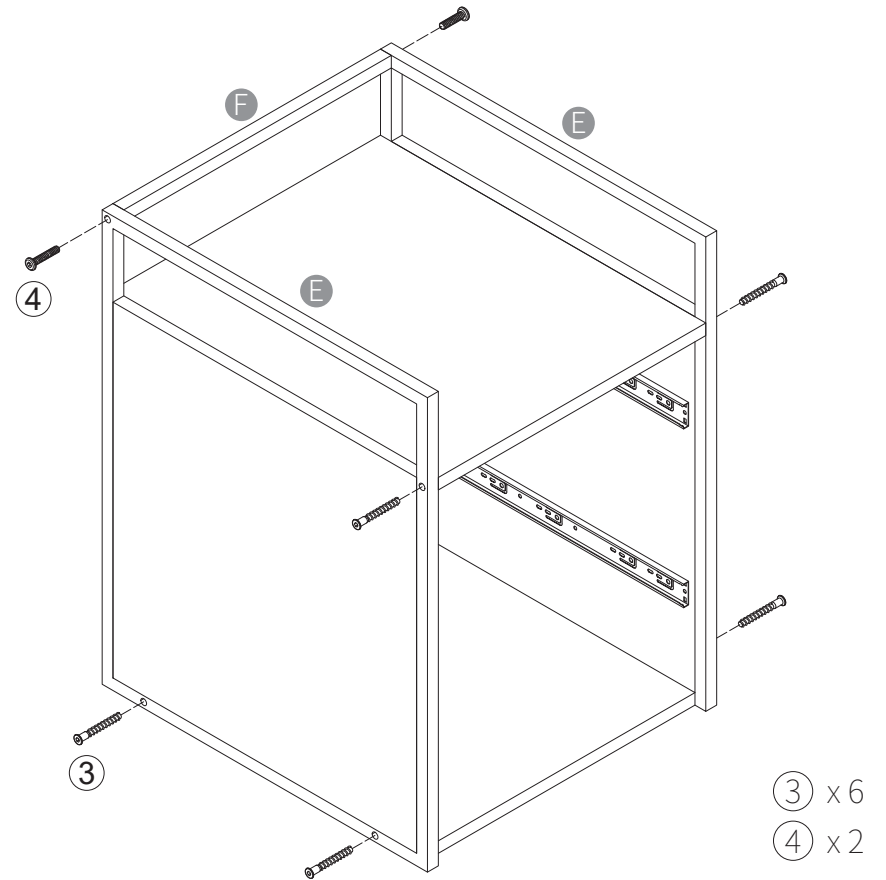
Please point the arrow to screws holes when installing the eccentric gear, and tighten it clockwise to fix the board after installing the board.

- ① x 2
- ② x 2
- ③ x 2

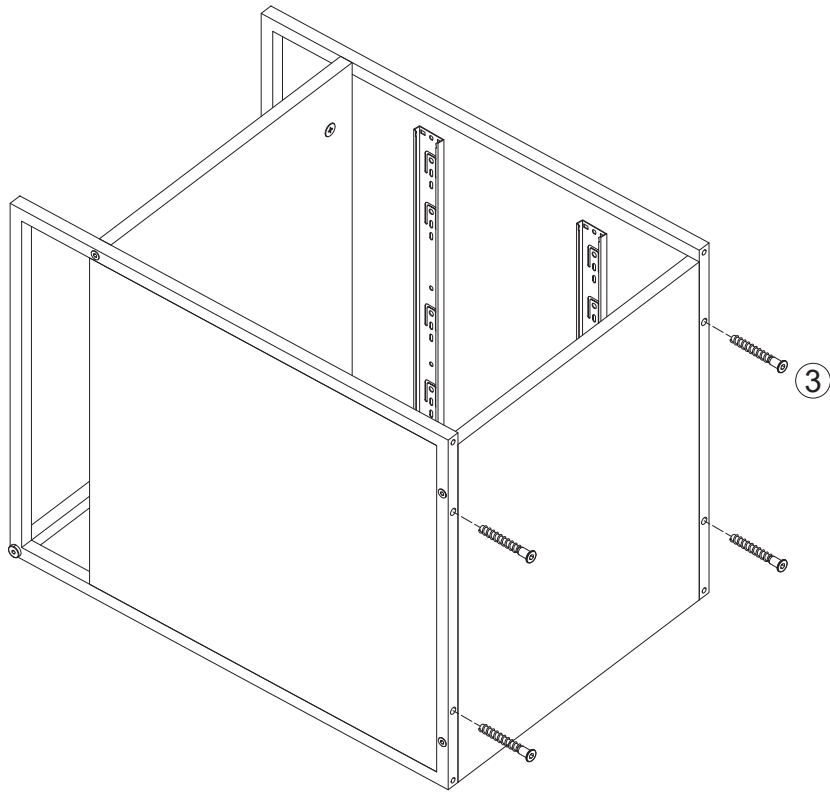
Step 2



Step 3



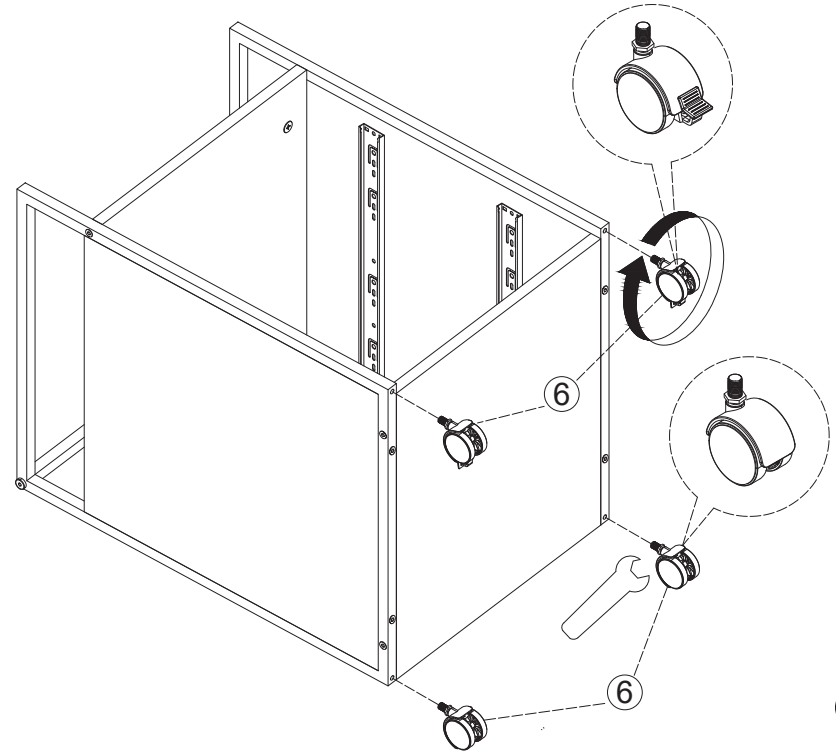
Step 4



③ x 4

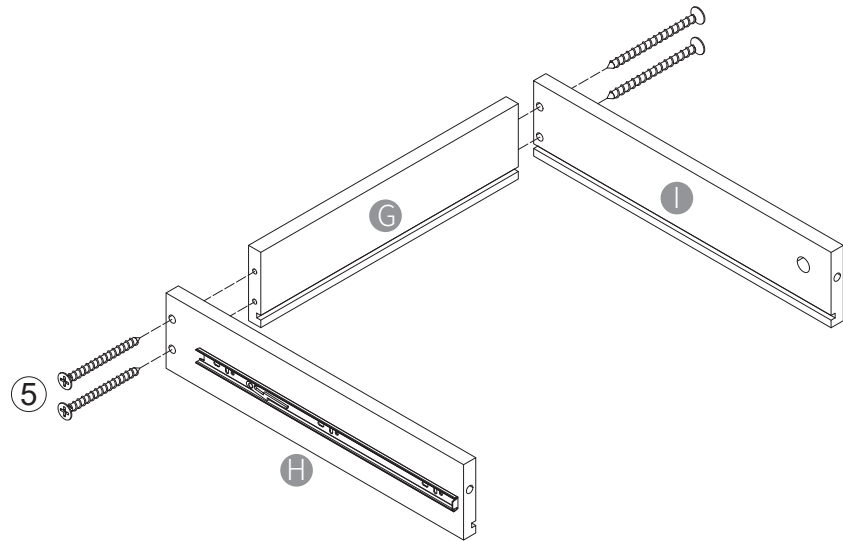
Step 5

Please install the universal wheels with brakes switch on the front side.



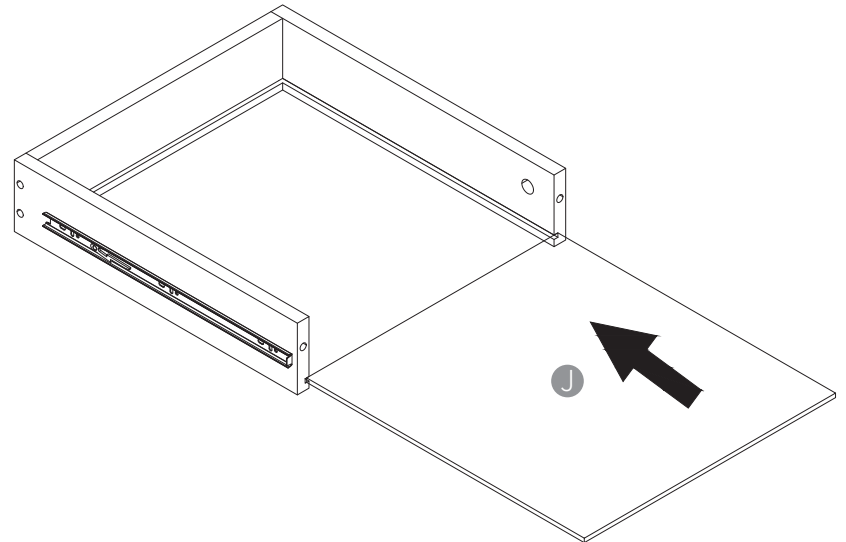
⑥ x 2

Step 6



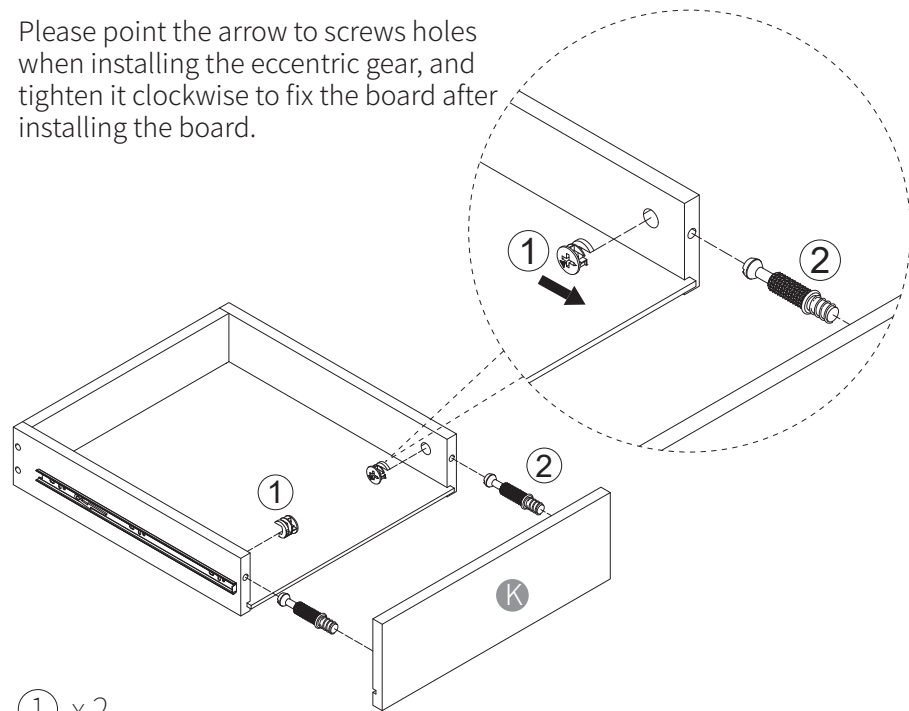
⑤ x 4

Step 7



Step 8

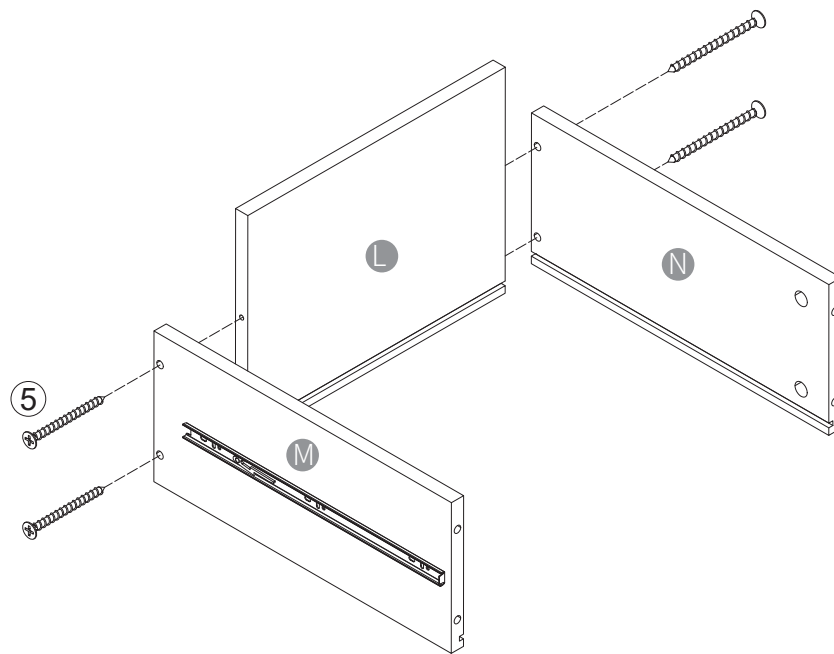
Please point the arrow to screws holes when installing the eccentric gear, and tighten it clockwise to fix the board after installing the board.



① x 2

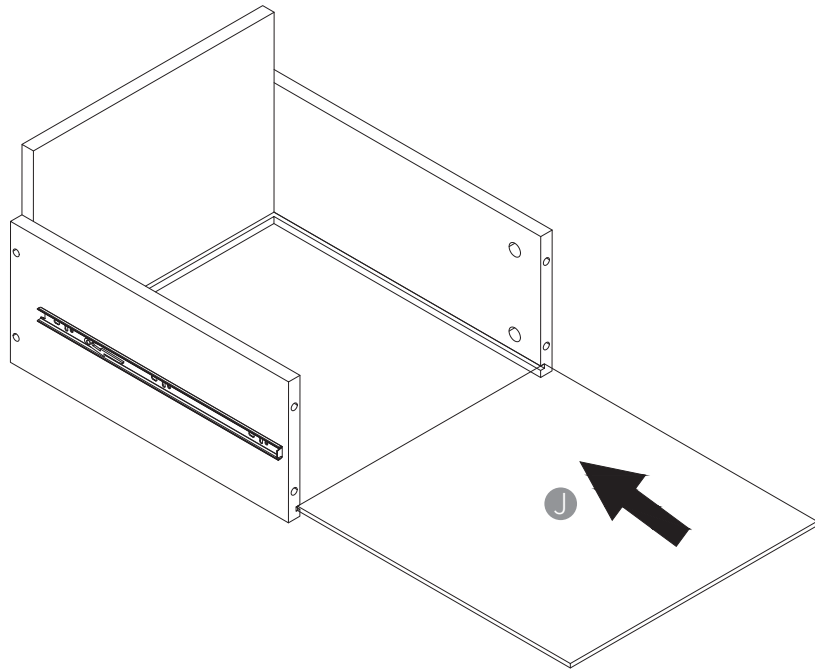
② x 2

Step 9

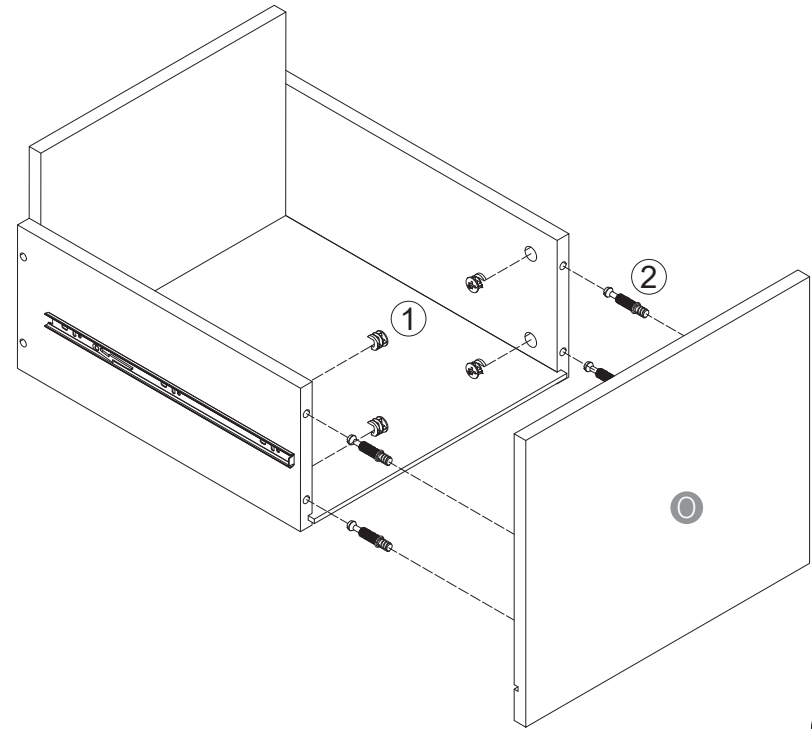


⑤ x 4

Step 10



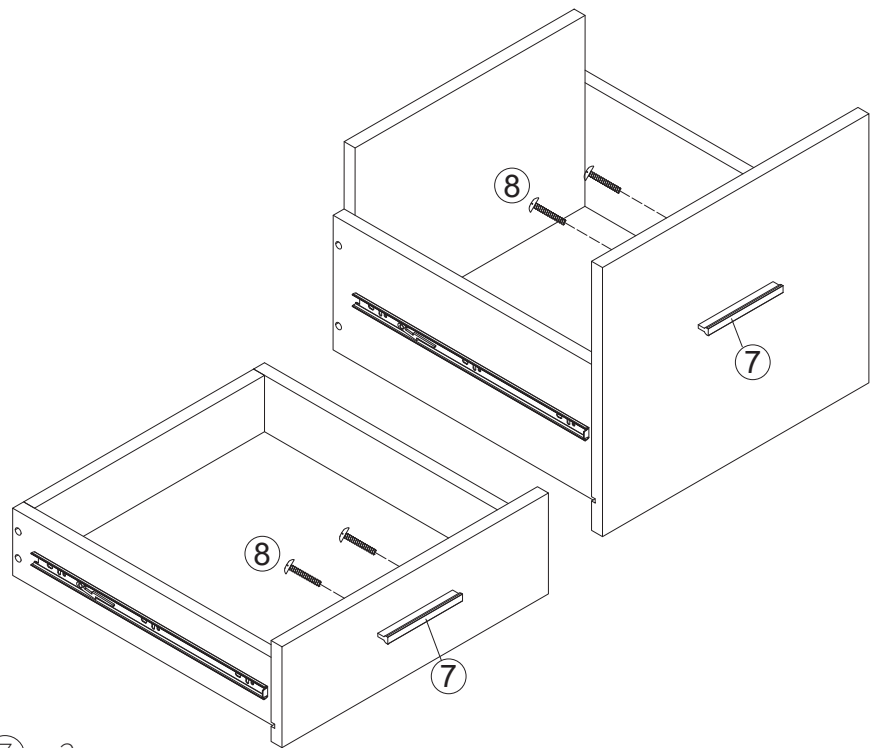
Step 11



① x4

② x4

Step 12



⑦ x 2

⑧ x 4

Step 13

