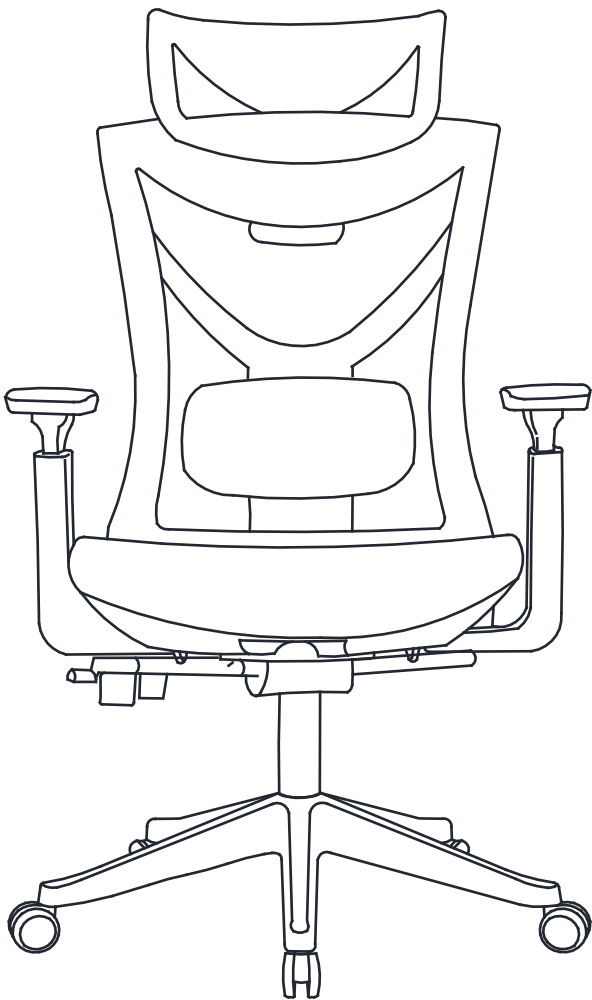


EMBRACE PRO

ERGONOMIC CHAIR (CUSHION)



USER MANUAL & INSTALLATION GUIDE

WARNING

Failure to follow these instructions may result in serious injury.



This product is designed for sitting only. Do not stand on the seat.



Do not use this product unless all bolts and parts are firmly tightened.



If any parts are missing, damaged or worn, repair the product with the replacement parts from manufacturer.



Do not sit on the armrest of this product.

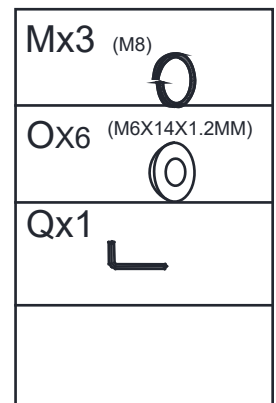
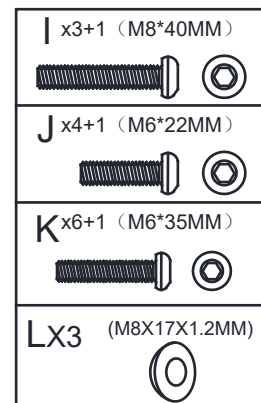
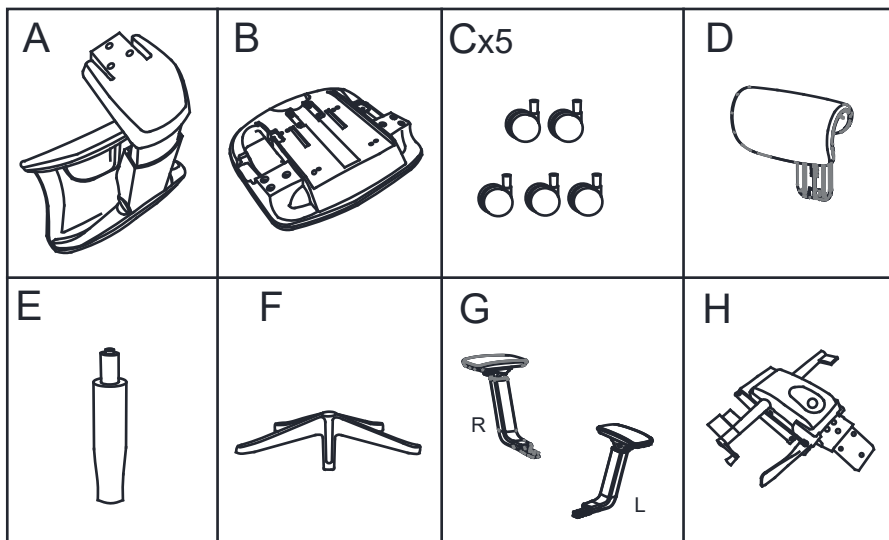


This product is designed to seat only one person at a time.



Children under 10 may require assistance and supervision to use this product.

PARTS

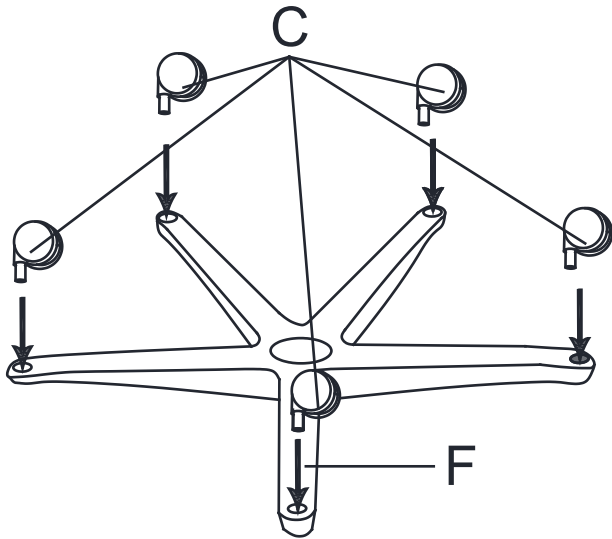


Please ensure you have all the components and tools listed.
Please contact Omnidesk Customer Service if you are missing any.

ASSEMBLY

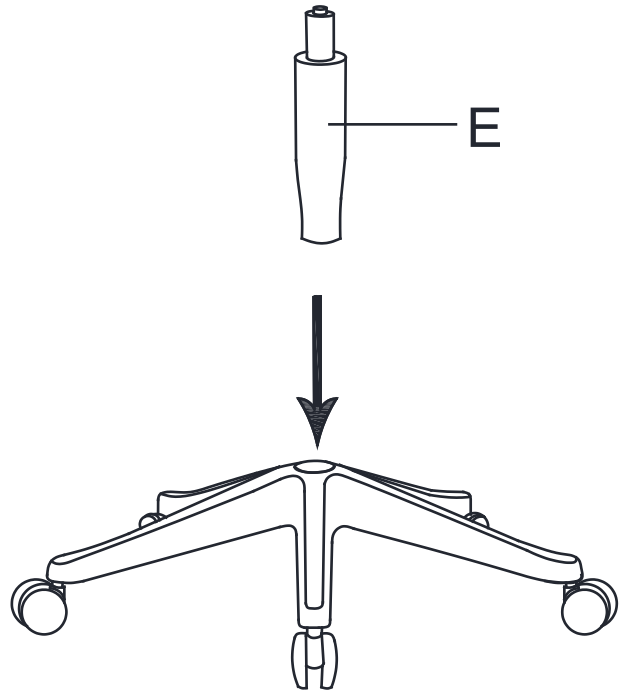
STEP 1.

Flip the base upside down and insert the castors into the base.



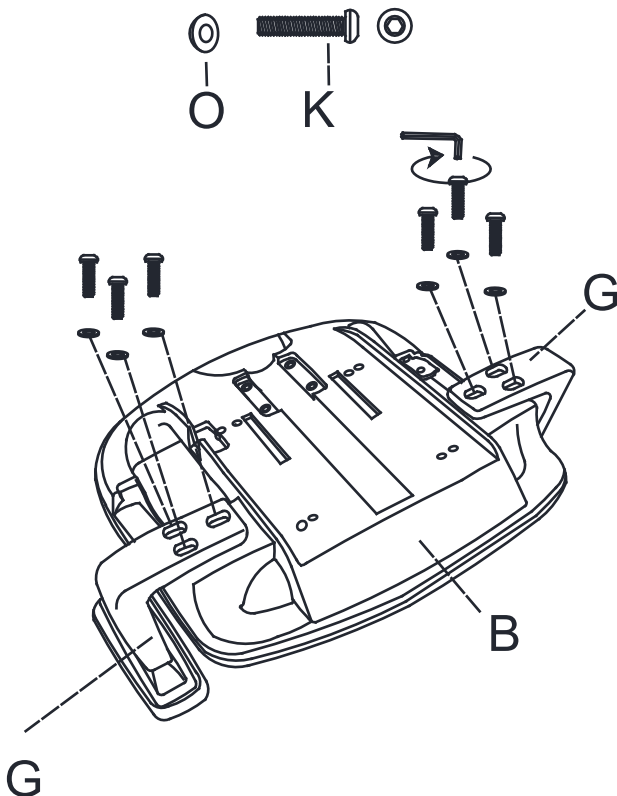
STEP 2.

Insert the gas lift into the base.



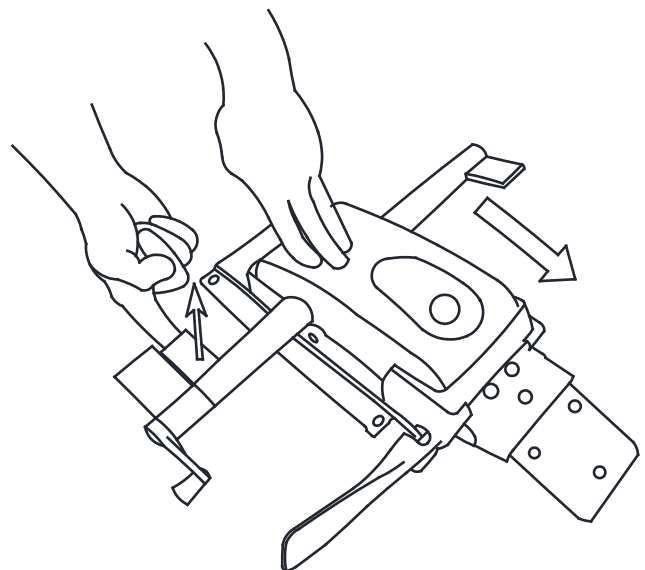
STEP 3.

Tighten the aligned bolts and washers into holes on the base using a screwdriver.



STEP 4.

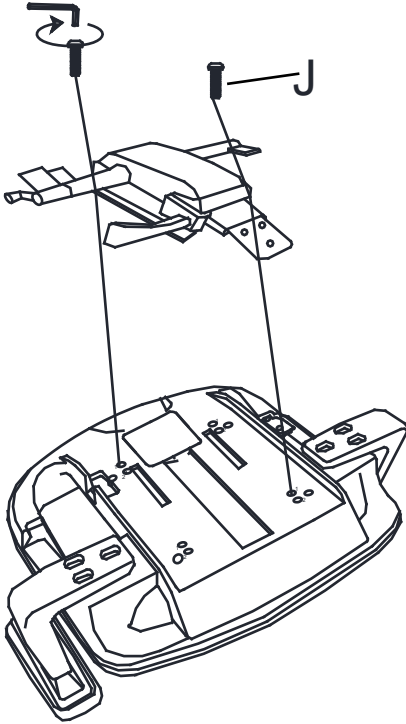
Push the handle and the mechanism towards the arrow direction so the screw holes are visible.



ASSEMBLY

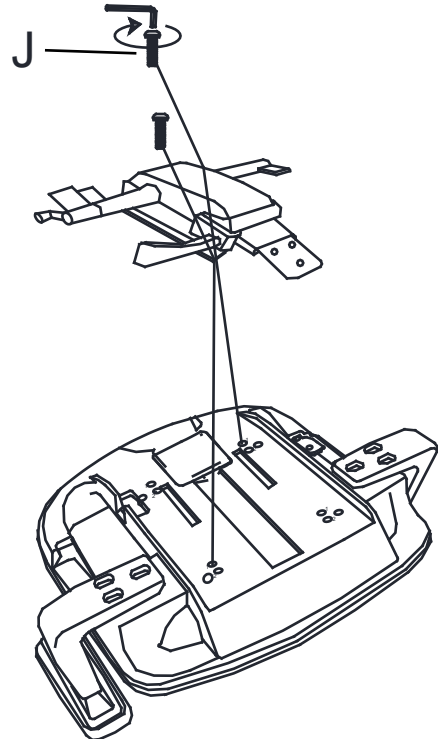
STEP 5.

Keep the holes in the metal bar in line with the plywood before assembling the back, then tighten the screws that are diagonal to each other halfway



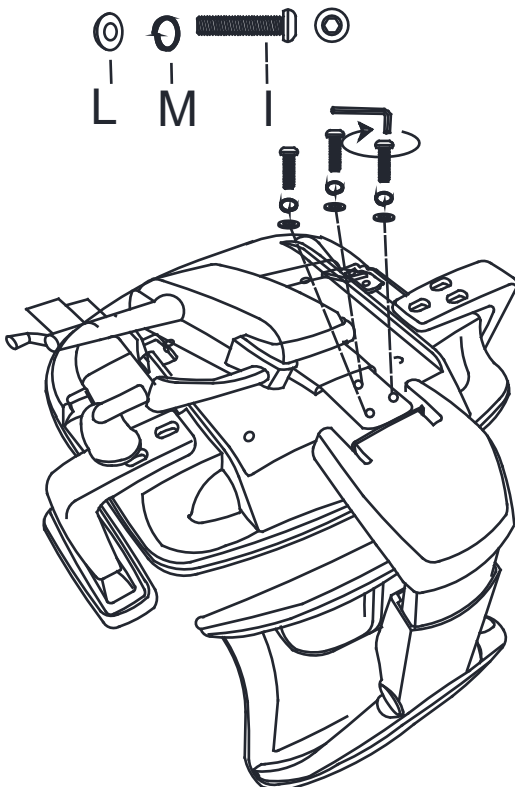
STEP 6.

Tighten another two screws in the metal bar.



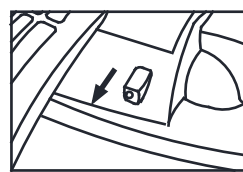
STEP 7.

Place three screws and corresponding washers at the points shown below to bind the chair back to the seat.

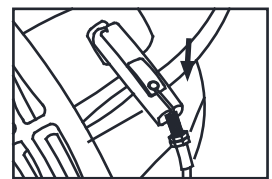


STEP 8.

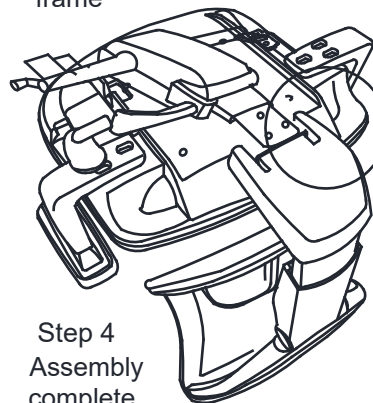
Assemble the back wire control into the wire control adapter on the upper seat frame



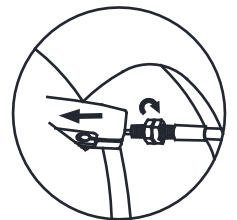
Step 1
Pull the plastic part out of the seat frame



Step 2
Tear the tape, insert the wire control into the slot



Step 4
Assembly complete

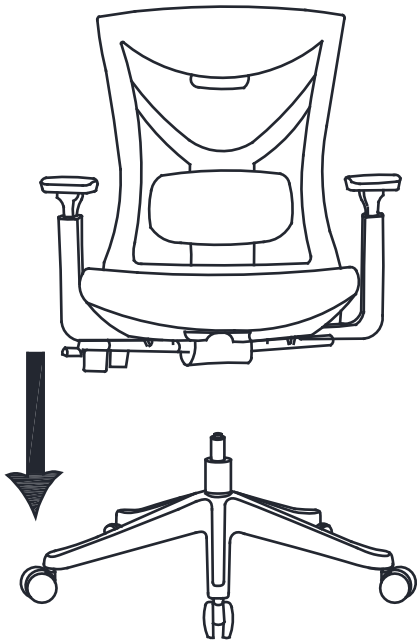


Step 3
Tighten the nut clockwise and push the plastic part back into the seat frame

ASSEMBLY

STEP 9.

Lower the seat on to the gas lift

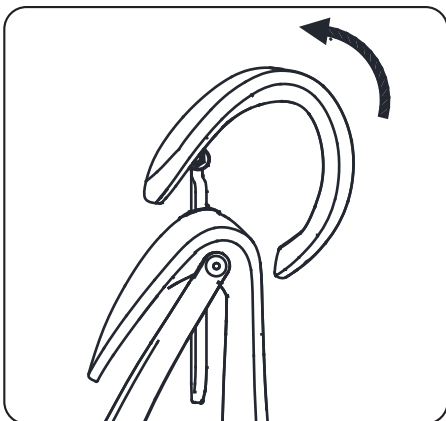


STEP 10.

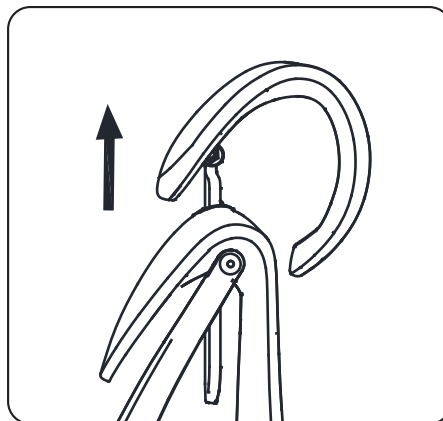
Place the headrest at the top of the seat back



FUNCTION GUIDE

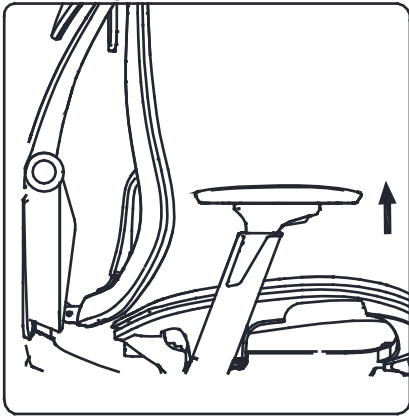


Adjust the headrest angle up to 45 degrees.

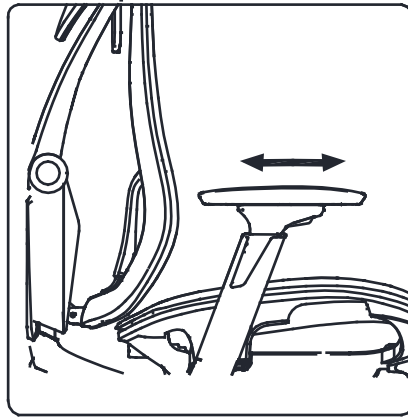


Adjust the headrest height within a 70mm range.

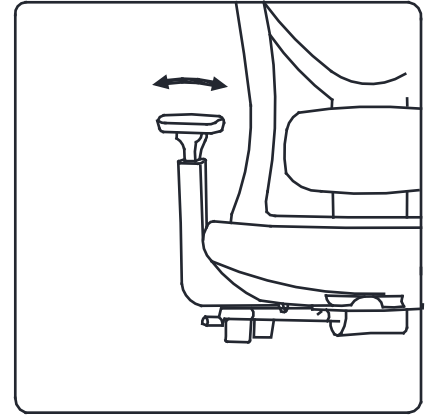
FUNCTION GUIDE



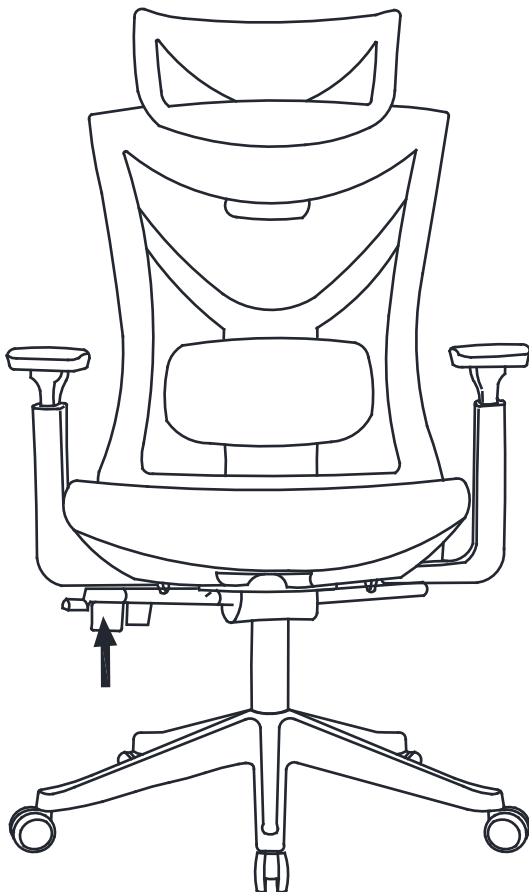
Press the tabs under the armrests to adjust them up and down.



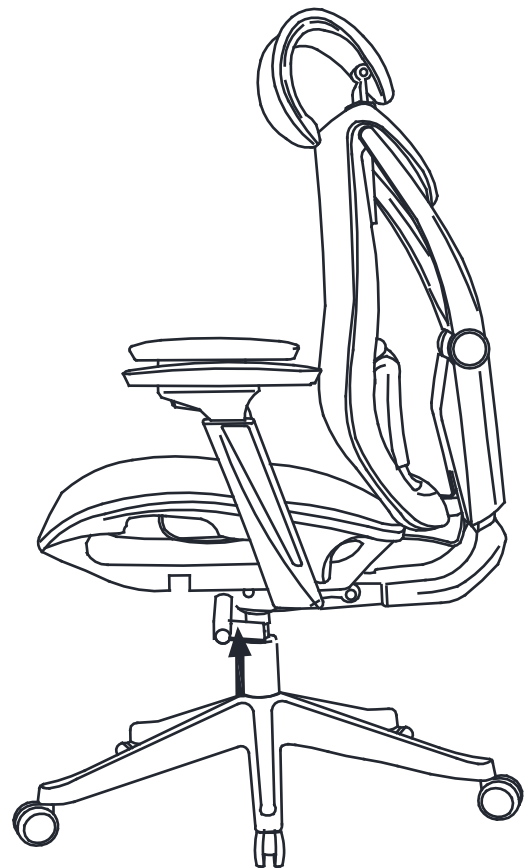
Armrest pad can slide back and forth.



Armrest pad can rotate left and right.

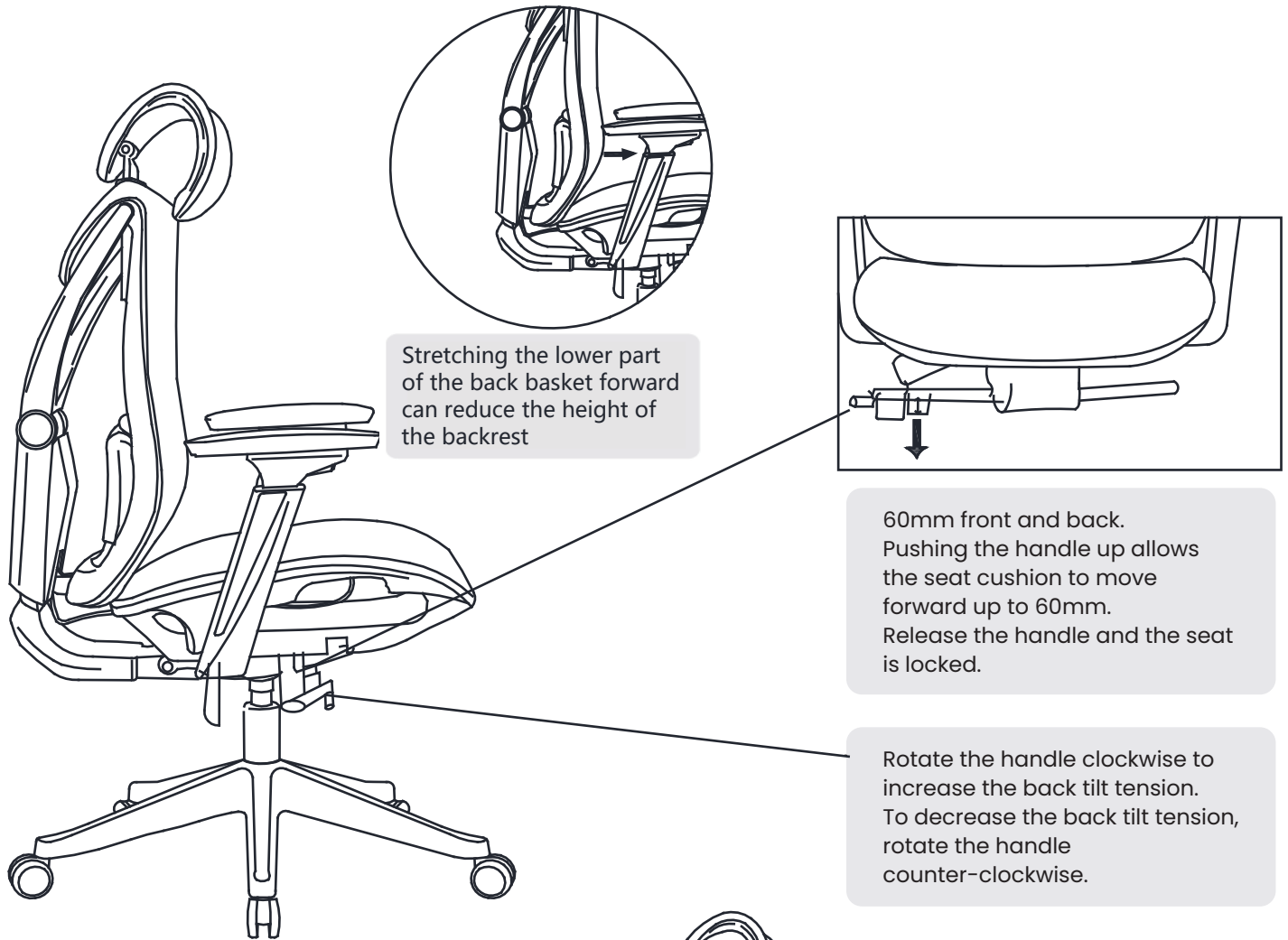


Pull the handle up to adjust the seat height.

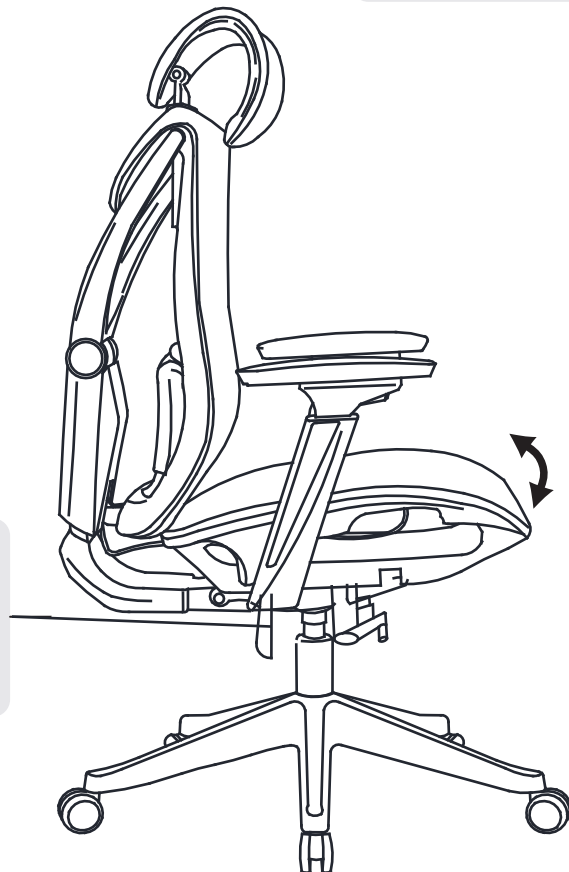


This handle controls angle of the back of the chair.

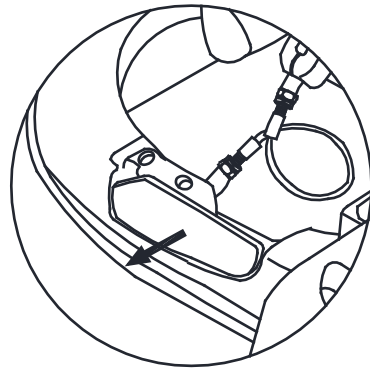
FUNCTION GUIDE



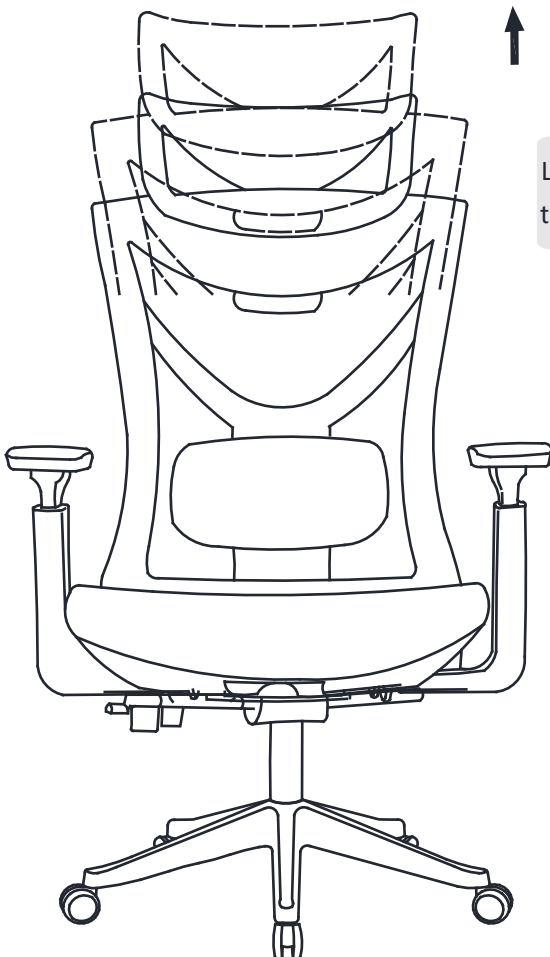
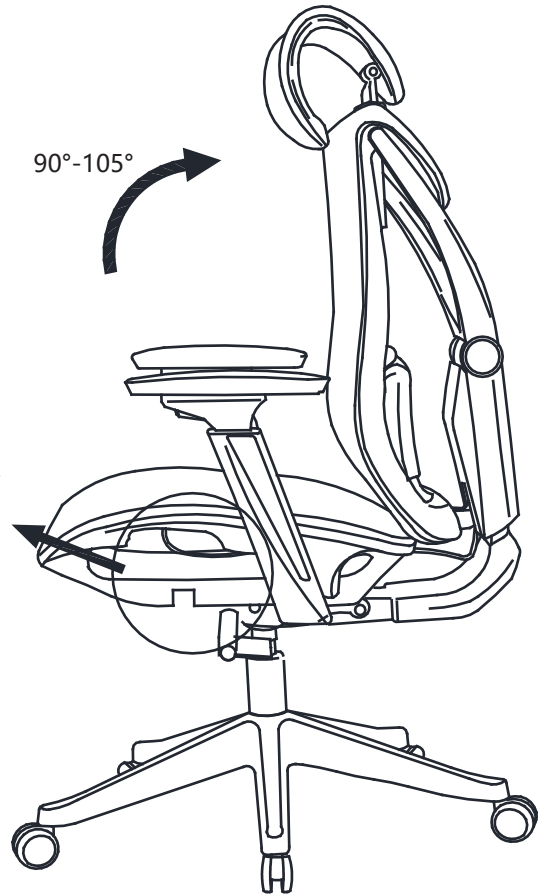
Flip the handle clockwise to activate the seat tilt function. Lock in to the preferred seat position by flipping the handle counter-clockwise.



FUNCTION GUIDE



When the wrench is pulled outward, the backrest can be adjusted at a small angle



Lift the backrest up to raise the height of the backrest